

Optional Metal Edges on Labeled Doors

Information Bulletin 398



Date: January, 2017

Eggers Industries

This bulletin applies to applications where the metal protectors are optional, serving to prevent impact damage to the door edges, and are not required as part of the fire approval.

Eggers has approval with U.L. to label 20-90 minute doors where the edges are protected with metal edge guards, metal edges and/or metal edge astragal sets. This approval applies to both full and partial height edge protectors. The partial height edge protectors are mortised flush into the stile edge. Because metal edges are not required to pass fire endurance, the edge protectors may be “U”, “T” or “L” shaped. Their means of attachment must be into the door edge, not into the door face. Any edge manufacturer may be specified as long as the edges are made of steel, or have been listed for use on wood/ composite fire doors.

No Category G edge seal is required for neutral pressure applications. When used with Category B positive pressure meeting edge applications a listed Category G edge seal must be applied to the full length of the meeting edges after the edge protectors are attached to the doors. When used with Category A meeting edge applications no surface applied intumescent is required on the edge protector/meeting edge.

For U.L. labeled doors rated 20-60 minutes the edges may also be mortised into one or both faces. When mortised into the face of 45 or 60 minute doors a 1 ½” Tectonite full height blocking is required on the latch stile.

Eggers requires a physical sample of the edge if face mortising is required. Details of are shown below using Rockwood edges as an example.

Note: This approval information does not apply to doors having CVR hardware.



Stile and Rail Doors,
Door Frames, Plywood
Veneered Components

Two Rivers Division
One Eggers Drive
Two Rivers, WI 54241
Phone: 920.793.1351
Fax: 920.793.2958

Flush Doors

Neenah Division
164 North Lake Street
Neenah, WI 54956
Phone: 920.722.6444
Fax: 920.722.0357

Architectural Veneer Faces,
Custom Wood Products,
Plywood

Kentucky Division
2125 Lake Jericho Road
Smithfield, KY 40068
Phone: 502.845.0154
Fax: 502.849.0444

Optional Metal Edges on Labeled Doors

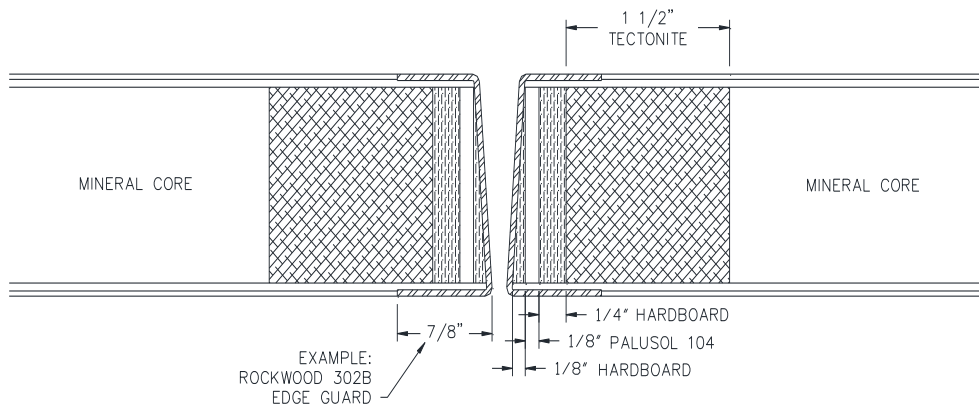
Information Bulletin 398



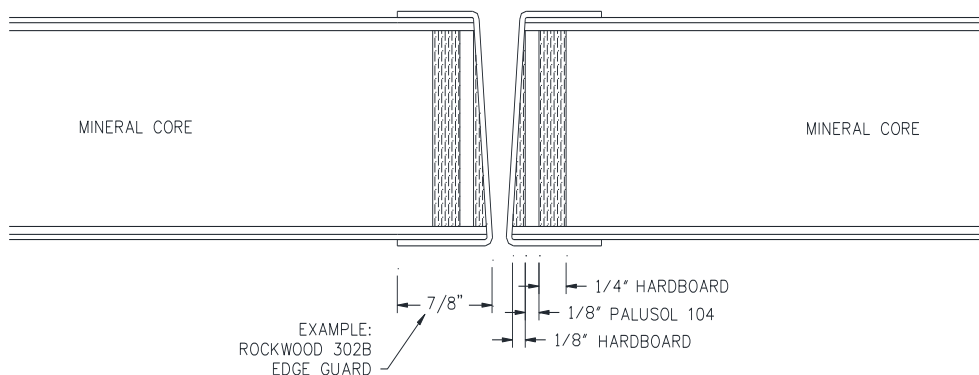
Eggers Industries

Date: January, 2017

MORTISED EDGE GUARDS – U.L., 60-MINUTE MAXIMUM
CAN BE MORTISED FLUSH IN ONE FACE OR TWO;
PARTIAL HEIGHT ARE MORTISED FLUSH INTO THE EDGE



20 THRU 90-MINUTE U.L. EDGE GUARD SURFACE
APPLIED ON FACE, PARTIAL HEIGHT ARE MORTISED FLUSH
INTO THE EDGE




**Eggers
Industries**
www.eggersindustries.com
sales@eggersindustries.com

Stile and Rail Doors,
Door Frames, Plywood
Veneered Components

Two Rivers Division
One Eggers Drive
Two Rivers, WI 54241
Phone: 920.793.1351
Fax: 920.793.2958

Flush Doors

Neenah Division
164 North Lake Street
Neenah, WI 54956
Phone: 920.722.6444
Fax: 920.722.0357

Architectural Veneer Faces,
Custom Wood Products,
Plywood

Kentucky Division
2125 Lake Jericho Road
Smithfield, KY 40068
Phone: 502.845.0154
Fax: 502.849.0444