

Full Lite Door Construction Comparison
Information Bulletin 437

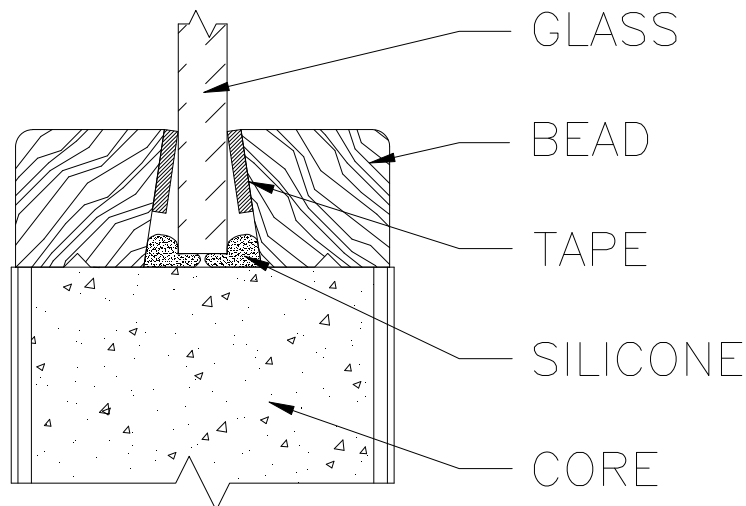


Date: March, 2009

Eggers Industries

Eggers now offers a particle core option for non-rated, full-lite applications. The lite sizes and dimensions are the same as those offered with our SCL and Stave core constructions. This door will be constructed normally and does not require a liner around the cutout. Standard particle core lite-to-lock dimensions and special installation apply. The chart below compares the full-lite options.

	Particle Core	SCL and SLC Core
Lite-to-Lock	3-5/16"	1-1/2"
Lite-to-Lite	5"	3"
Max Width	36"	36"
Max Length	87-9/16"	87-9/16"
Max Area	2868 sq in	2868 sq in
Fire Rating	Non-Rated	20-Minute
Installation	Beads are installed using standard glazing tape and nails. In addition a small bead of 100% silicone is required as shown in the drawing below.	Beads are installed using standard glazing tape and nails.



**Stile & Rail Doors, Door Frames,
Plywood, Veneered Components**

Two Rivers Division
One Eggers Drive
Two Rivers, WI 54241
Phone: 920.793.1351
Fax: 920.793.2958

www.eggiersindustries.com

Flush Doors

Neenah Division
164 North Lake Street
Neenah, WI 54956
Phone: 920.722.6444
Fax: 920.722.0357

email: sales@eggiersindustries.com