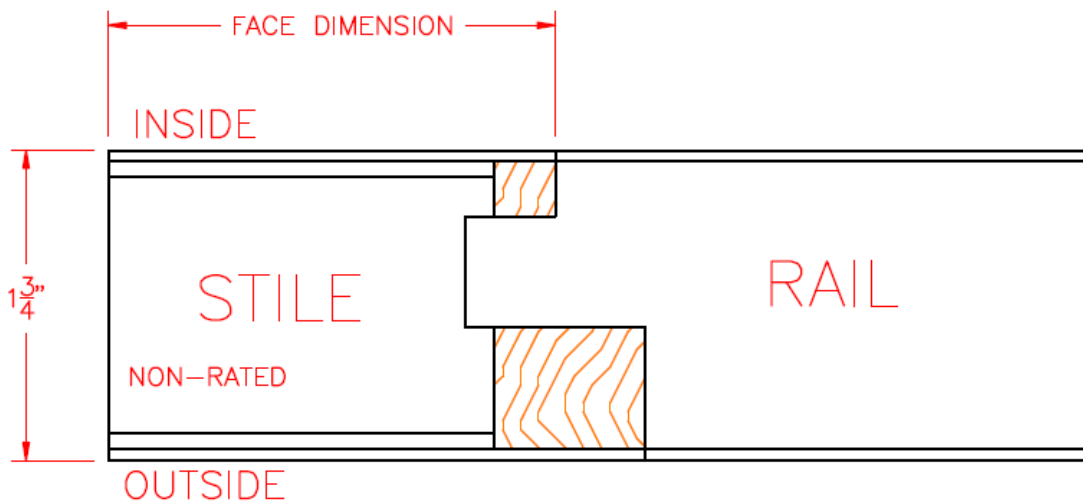
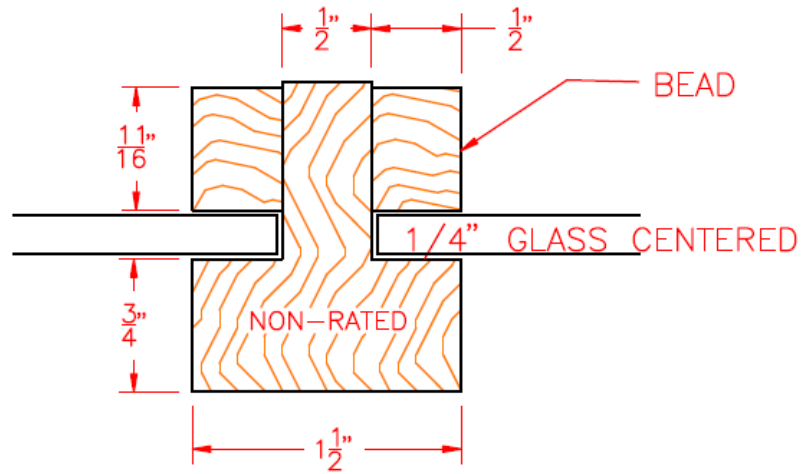
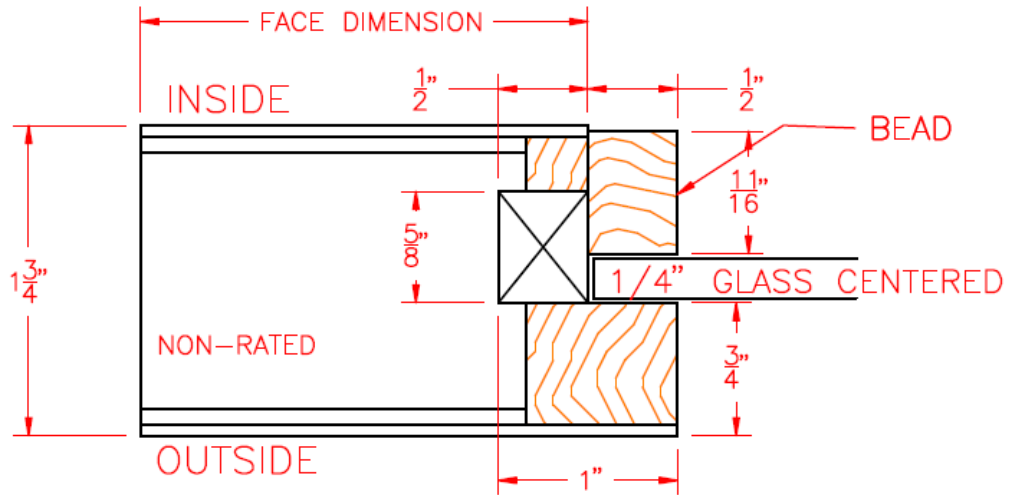


# Non-Rated Full Lite with Square Profile (Tongue & Lap) Construction Details



Eggers Industries

No. 734-07-09

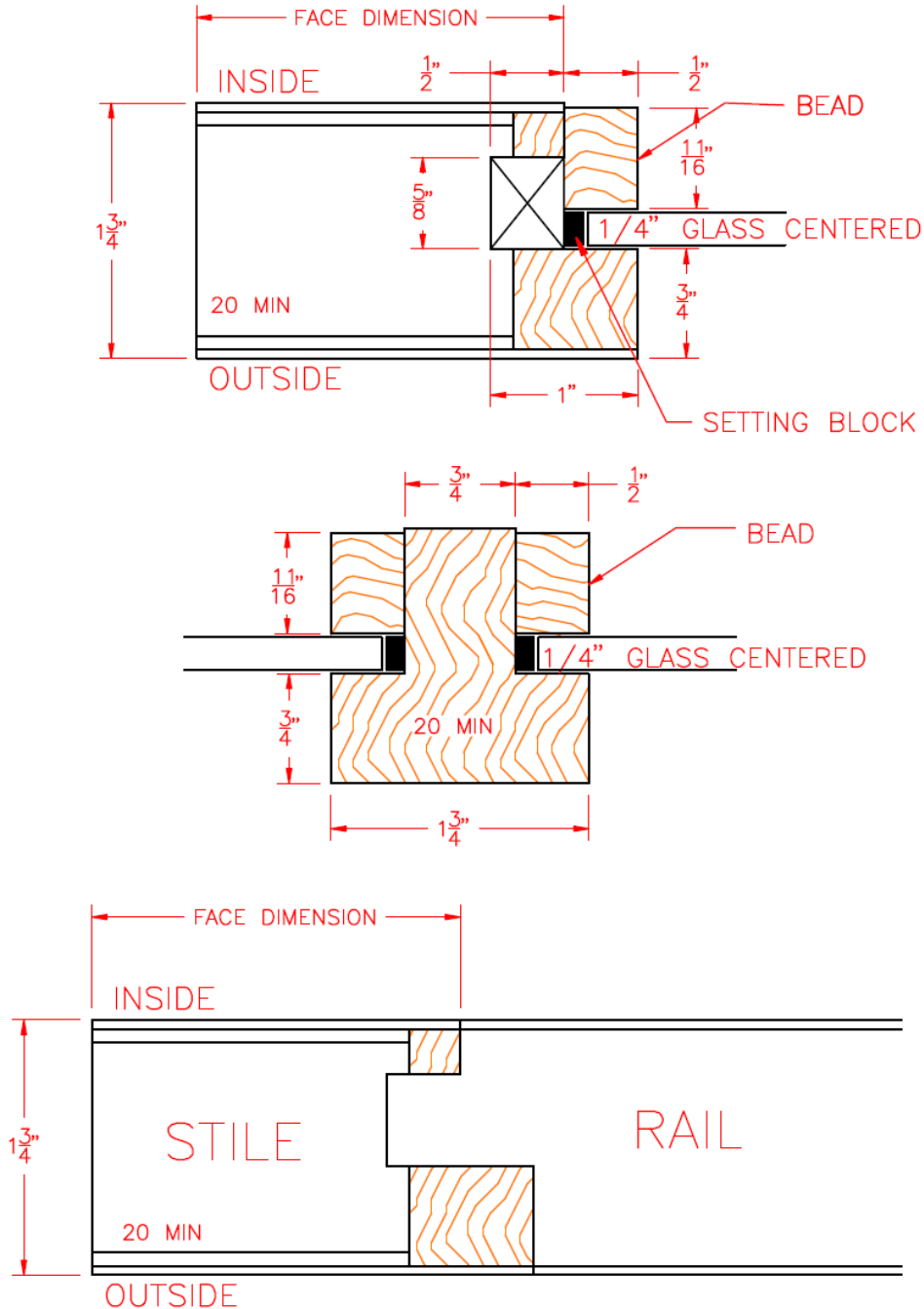


# 20-Minute Full Lite with Square Profile (Tongue & Lap) Construction Details



Eggers Industries

No. 734-07-09



Eggers Industries

**Stile & Rail Doors, Door Frames,  
Plywood, Veneered Components**

**Two Rivers Division**  
One Eggers Drive  
Two Rivers, WI 54241  
Phone: 920.793.1351  
Fax: 920.793.2958

[www.eggiersindustries.com](http://www.eggiersindustries.com)

**Flush Doors**

**Neenah Division**  
164 North Lake Street  
Neenah, WI 54956  
Phone: 920.722.6444  
Fax: 920.722.0357

email: [sales@eggiersindustries.com](mailto:sales@eggiersindustries.com)