

# DUTCH DOORS

Information Bulletin 317



Eggers Industries

Date: March, 2014

## General Information:

If a shelf required, we will need to know

- Will the shelf be top-mounted or side-mounted?
- If it is a single shelf, which side of the door will it be on?
- If the door is unfinished, is the shelf to be installed or shipped loose? Will it be a Standard Eggers shelf at 1-1/8" thickness or a custom shelf? If custom, what will the thickness be?

### Standard shelf information

- If the door is pre-finished the shelf must be factory installed.
- If a shelf is going to be mounted on the top of the bottom leaf the factory will cut the door down to accept the shelf, whether shelf is shipped loose or installed.
- If there is no shelf or the shelf is side-mounted, the top rail of the bottom leaf will be veneered as standard procedure.
- If door has a plastic laminate shelf the brackets will be plastic laminated.

## 20-Min Applications:

UL approval is for both positive and neutral pressure applications up to 4-0 x 10-0.

Warnock Hersey approval is for neutral pressure applications up to 4-0 x 8-0.

Both approvals allow the Dutch door to be provided with a single shelf or without a shelf.

Intumescent seals are required for all applications (Cat A, Cat B, Neutral) not using a metal astragal. These seals will be installed in the bottom rail of the top leaf during manufacturing.

All labeled openings require doors to self-close and self-latch latching devices. With a labeled Dutch door there are several options to accomplish this and maintain the label validity.

- Self-closing: Both leaves may include independent closers; a closer may be used on one leaf with an approved astragal between the leaves serving to close the second leaf; Spring hinges may be used to close one or both leaves (in accordance with the hinge listing or leaf sizes per NFPA-80).



Stile and Rail Doors,  
Door Frames, Plywood  
Veneered Components

Two Rivers Division  
One Eggers Drive  
Two Rivers, WI 54241  
Phone: 920.793.1351  
Fax: 920.793.2958

Flush Doors

Neenah Division  
164 North Lake Street  
Neenah, WI 54956  
Phone: 920.722.6444  
Fax: 920.722.0357

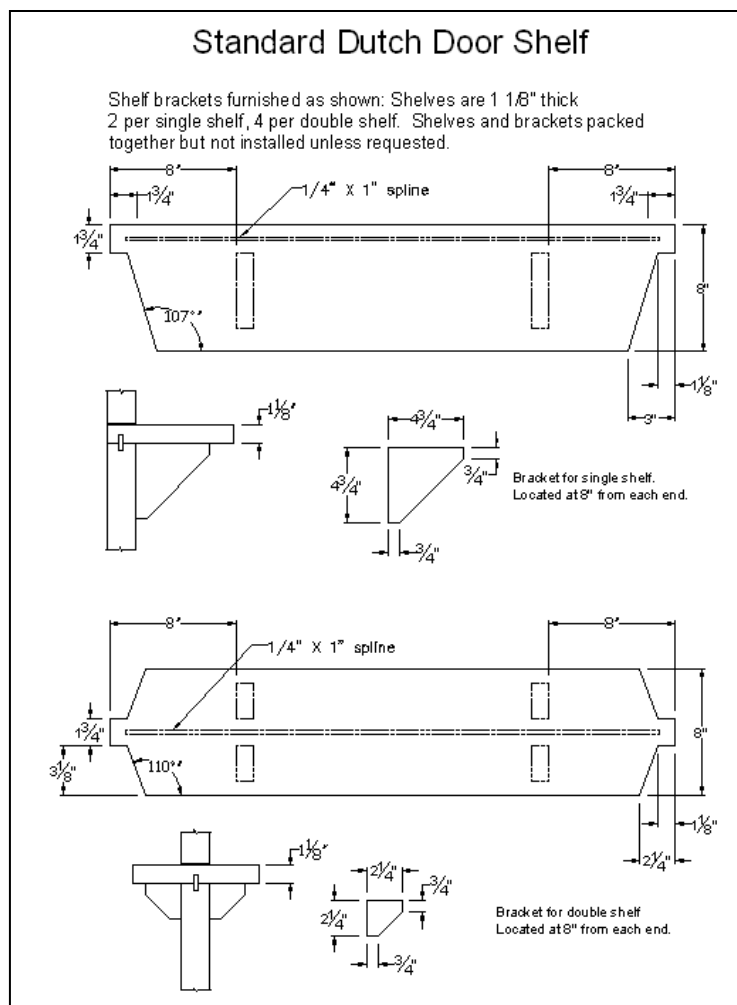
Architectural Veneer Faces,  
Custom Wood Products,  
Plywood

Kentucky Division  
2125 Lake Jericho Road  
Smithfield, KY 40068  
Phone: 502.845.0154  
Fax: 502.849.0444



- Latching: Both leaves may include independent latches; one leaf may latch into the other leaf; where an astragal is used the latch is only required in one leaf where the latched leaf prevents the second leaf from opening.

Dutch doors are constructed as two dependant leaves; they are not approved as stand alone items. The doors are constructed, and the identification marks applied, to show they belong in the same opening. Eggers will apply the fire label to the top leaf; the bottom leaf depends on its association and common mark number for its fire rating.



www.eggersindustries.com  
sales@eggersindustries.com

Stile and Rail Doors,  
Door Frames, Plywood  
Veneered Components

Two Rivers Division  
One Eggers Drive  
Two Rivers, WI 54241  
Phone: 920.793.1351  
Fax: 920.793.2958

Flush Doors

Neenah Division  
164 North Lake Street  
Neenah, WI 54956  
Phone: 920.722.6444  
Fax: 920.722.0357

Architectural Veneer Faces,  
Custom Wood Products,  
Plywood

Kentucky Division  
2125 Lake Jericho Road  
Smithfield, KY 40068  
Phone: 502.845.0154  
Fax: 502.849.0444

# DUTCH DOORS

Information Bulletin 317

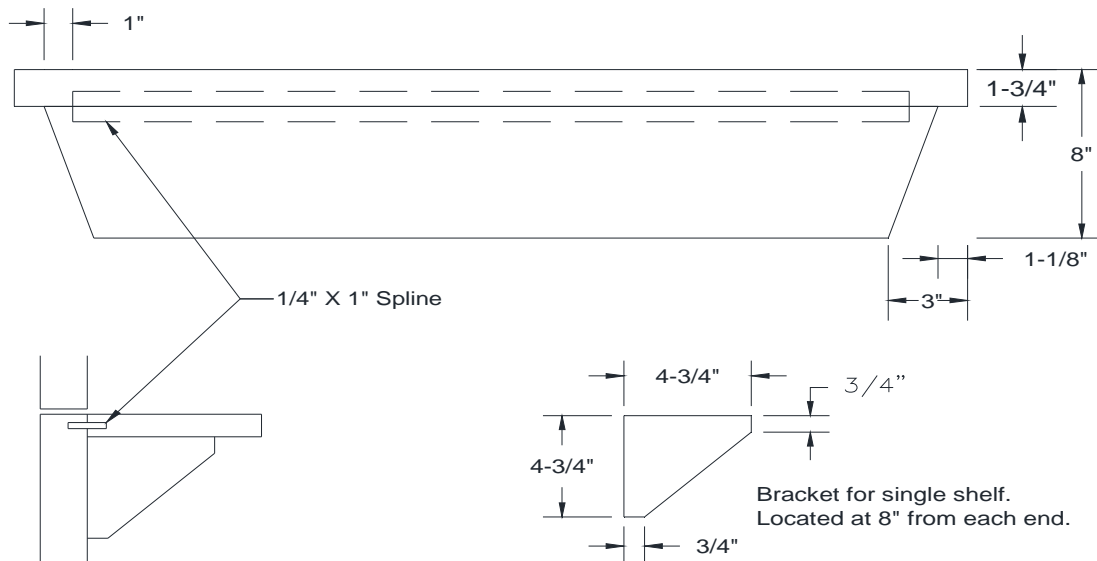


Date: March, 2014

Eggers Industries

## Side Mounted Dutch Door Shelf

Shelf brackets furnished as shown:  
2 per single shelf. Shelves and brackets packed together but not installed unless requested.



www.eggersondustries.com  
sales@eggersondustries.com

Stile and Rail Doors,  
Door Frames, Plywood  
Veneered Components

Two Rivers Division  
One Eggers Drive  
Two Rivers, WI 54241  
Phone: 920.793.1351  
Fax: 920.793.2958

Flush Doors

Neenah Division  
164 North Lake Street  
Neenah, WI 54956  
Phone: 920.722.6444  
Fax: 920.722.0357

Architectural Veneer Faces,  
Custom Wood Products,  
Plywood

Kentucky Division  
2125 Lake Jericho Road  
Smithfield, KY 40068  
Phone: 502.845.0154  
Fax: 502.849.0444