

Flush Bolts

Information Bulletin 399



Eggers Industries

Date: August, 2013

Eggers has approval to prep listed and approved extension flushbolts, corner mounted flushbolts and surface applied flushbolts in doors rated 20 through 90-minute.

Fire Rated Doors

- 1.) Extension flushbolts can have up to a maximum of 24" (for UL) and 18" (for WH) extensions on doors 20 through 90-minute in either negative or positive pressure installations. Although the hardware manufacturers listings may say for metal doors Eggers has the approval in our procedures which supersedes the hardware listings. See Information Bulletin 322 for required blocking.
- 2.) Corner mounted flushbolts having mortised cuts greater than ¾" wide and 1" deep have a tendency to flare open. To maintain warranty if this type of flushbolt is required, Eggers requires the use of one of the following:
 - a. Flushbolt end caps from Eggers (additional charge) see attached detail below.
 - b. Astragal/edge set(Both of these items are approved for 20 through 90 minute fire ratings and Eggers will maintain full warranty on the doors.

Construction Tagged Doors

We have capability to manufacture doors with extension flush bolts up to 36" in length and will provide these on doors having 20-min construction tags. Flush bolts longer than 24" are not available on 45-90 minute doors, even with construction tags.



www.eggersindustries.com
sales@eggersindustries.com

Stile and Rail Doors,
Door Frames, Plywood
Veneered Components

Two Rivers Division
One Eggers Drive
Two Rivers, WI 54241
Phone: 920.793.1351
Fax: 920.793.2958

Flush Doors

Neenah Division
164 North Lake Street
Neenah, WI 54956
Phone: 920.722.6444
Fax: 920.722.0357

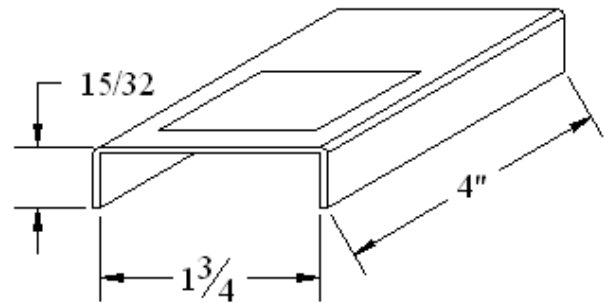
Architectural Veneer Faces,
Custom Wood Products,
Plywood

Kentucky Division
2125 Lake Jericho Road
Smithfield, KY 40068
Phone: 502.845.0154
Fax: 502.849.0444



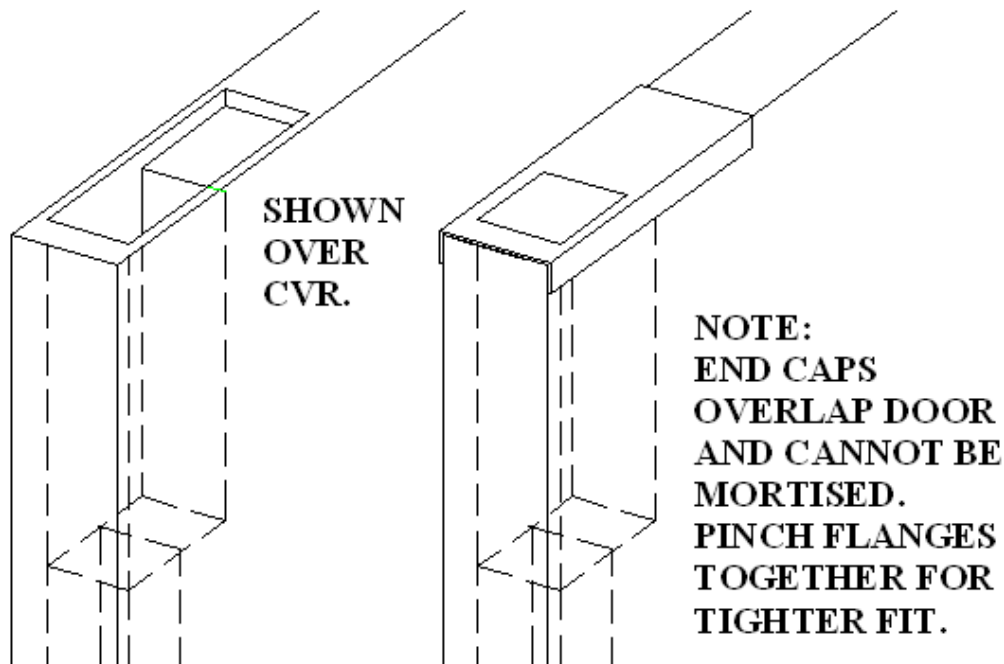
CVR EXIT DEVICE AND CORNER MOUNTED FLUSH BOLT END CAP

FOR USE ON VON DUPRIN'S
33/3547WDC, 5547WDC & 98/9947WDC
CONCEALED VERTICAL RODS TO
HELP PREVENT DAMAGE WHEN
DOORS ARE IN HIGH USE OR
ABUSIVE SITUATIONS AND ALL
CORNER MORTISED FLUSHBOLTS
TO PREVENT FLARING OF
REMAINING PORTION OF DOOR.



FINISH: US32D STAINLESS STEEL

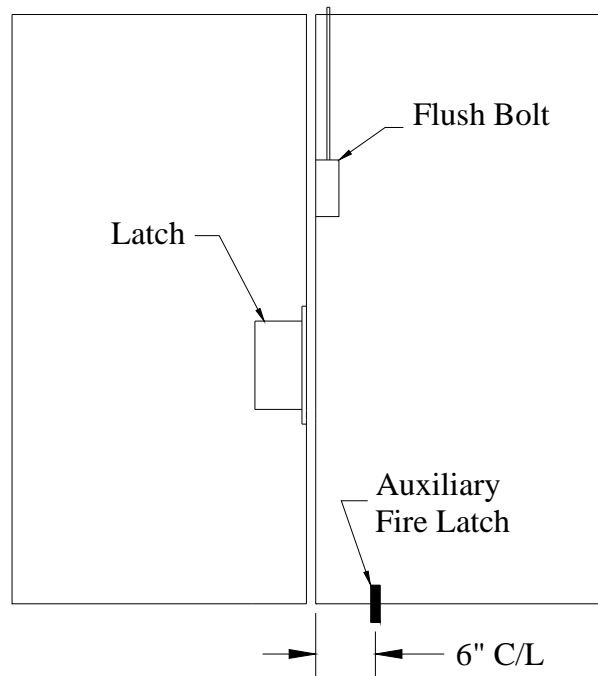
**END CAP FITS OVER TOP RAIL SO BOLT CAN PROTRUDE
THROUGH HOLE.**





Top Flushbolt Only on Mineral Core Pairs

We have approval to manufacture and label doors up to 90 minutes with a top flushbolt only. Most applications rated higher than 20 minutes will require an auxiliary fire latch in place of the bottom flush bolt. Doors need to be blocked as required for the flushbolt hardware being used. Please refer to Information Bulletin 322 for the available options. The auxiliary latch requirements for the use of a top flush bolt only over-ride the fire latch requirement shown in info bulleting 322, which was written for top and bottom flush bolt applications.



Flush Bolts
Information Bulletin 399



Eggers Industries

Date: August, 2013

Lead Lined Doors

Lead door applications are available with a 20-minute label from both UL and WH. Lead door applications are available with 45- or 60-min with a UL label. Pairs of lead-lined doors require a lead-lined astragal

eiDoor With Replaceable Edge

Only bored or extension type available in pairs of eiDoors (automatic corner mounted not allowed). These are available on non-rated or 20-min UL applications.



www.eggersondustries.com
sales@eggersondustries.com

Stile and Rail Doors,
Door Frames, Plywood
Veneered Components

Two Rivers Division
One Eggers Drive
Two Rivers, WI 54241
Phone: 920.793.1351
Fax: 920.793.2958

Flush Doors

Neenah Division
164 North Lake Street
Neenah, WI 54956
Phone: 920.722.6444
Fax: 920.722.0357

Architectural Veneer Faces,
Custom Wood Products,
Plywood

Kentucky Division
2125 Lake Jericho Road
Smithfield, KY 40068
Phone: 502.845.0154
Fax: 502.849.0444