

Wood Astragals for Pair Doors

Information Bulletin 246



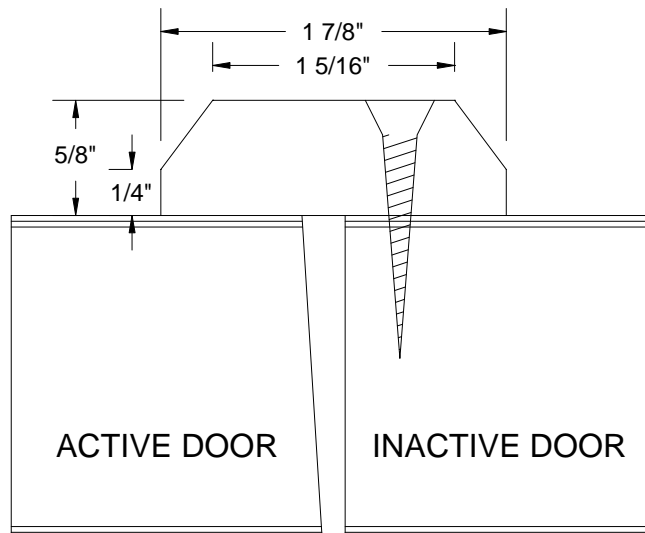
Eggers Industries

Date: February, 2014

In addition to non-rated applications, Eggers can provide flat wood astragals on U.L. and WHI labeled 20-minute pairs. Wood astragals are optional and can be installed on either or both faces of pairs of 20-min doors that did not require astragals to pass the fire test. This includes neutral pressure doors with treated lumber edges as well as positive pressure doors with Category A or Category B meeting edge constructions. The detail below is our stock profile; other profiles may be available with an applicable set-up charge.

This approval also applies to 20-min labeled specialty constructions such as lead-lined and acoustic doors as well. For these applications the astragal will be modified for acoustic seals or lead shielding.

Our standard is to provide the astragals loose for installation in the field. Installation instructions for these astragals are available on our website.




Eggers Industries
www.eggersondustries.com
sales@eggersondustries.com

Stile and Rail Doors,
Door Frames, Plywood
Veneered Components

Two Rivers Division
One Eggers Drive
Two Rivers, WI 54241
Phone: 920.793.1351
Fax: 920.793.2958

Flush Doors

Neenah Division
164 North Lake Street
Neenah, WI 54956
Phone: 920.722.6444
Fax: 920.722.0357

Architectural Veneer Faces,
Custom Wood Products,
Plywood

Kentucky Division
2125 Lake Jericho Road
Smithfield, KY 40068
Phone: 502.845.0154
Fax: 502.849.0444