

ACOUSTIC GASKET SYSTEMS

Installation Instruction 120



Eggers Industries

Date: June, 2013

Installation of Perimeter Seals: Gasket System S

1. Hang the door and adjust for proper clearances.
2. Install the Pemko 2008STCxQ380 threshold within the opening. The threshold should be installed parallel to the bottom of the door, shimming if required. When properly installed there should be a 1/8" clearance between the bottom of the door and the threshold when the door is closed. The threshold seal should be in uniform contact with the door face and slightly compressed. A sealant, such as silicone caulk, should be used to prevent sound transmission between the threshold and floor/frame. Thresholds should not be mounted over carpeting as this will not allow a good seal.
3. Install a row of Pemko S44 seal to the leading edge of the jambs and the header.
4. Locate and attach the 312CR w/ER9 to the frame. When properly installed this seal and the threshold seal will provide continuous contact to the face of the door when it is latched closed.

- Refer to drawing on following pages -



Stile and Rail Doors,
Door Frames, Plywood
Veneered Components

Two Rivers Division
One Eggers Drive
Two Rivers, WI 54241
Phone: 920.793.1351
Fax: 920.793.2958

Flush Doors

Neenah Division
164 North Lake Street
Neenah, WI 54956
Phone: 920.722.6444
Fax: 920.722.0357

Architectural Veneer Faces,
Custom Wood Products,
Plywood

Kentucky Division
2125 Lake Jericho Road
Smithfield, KY 40068
Phone: 502.845.0154
Fax: 502.849.0444

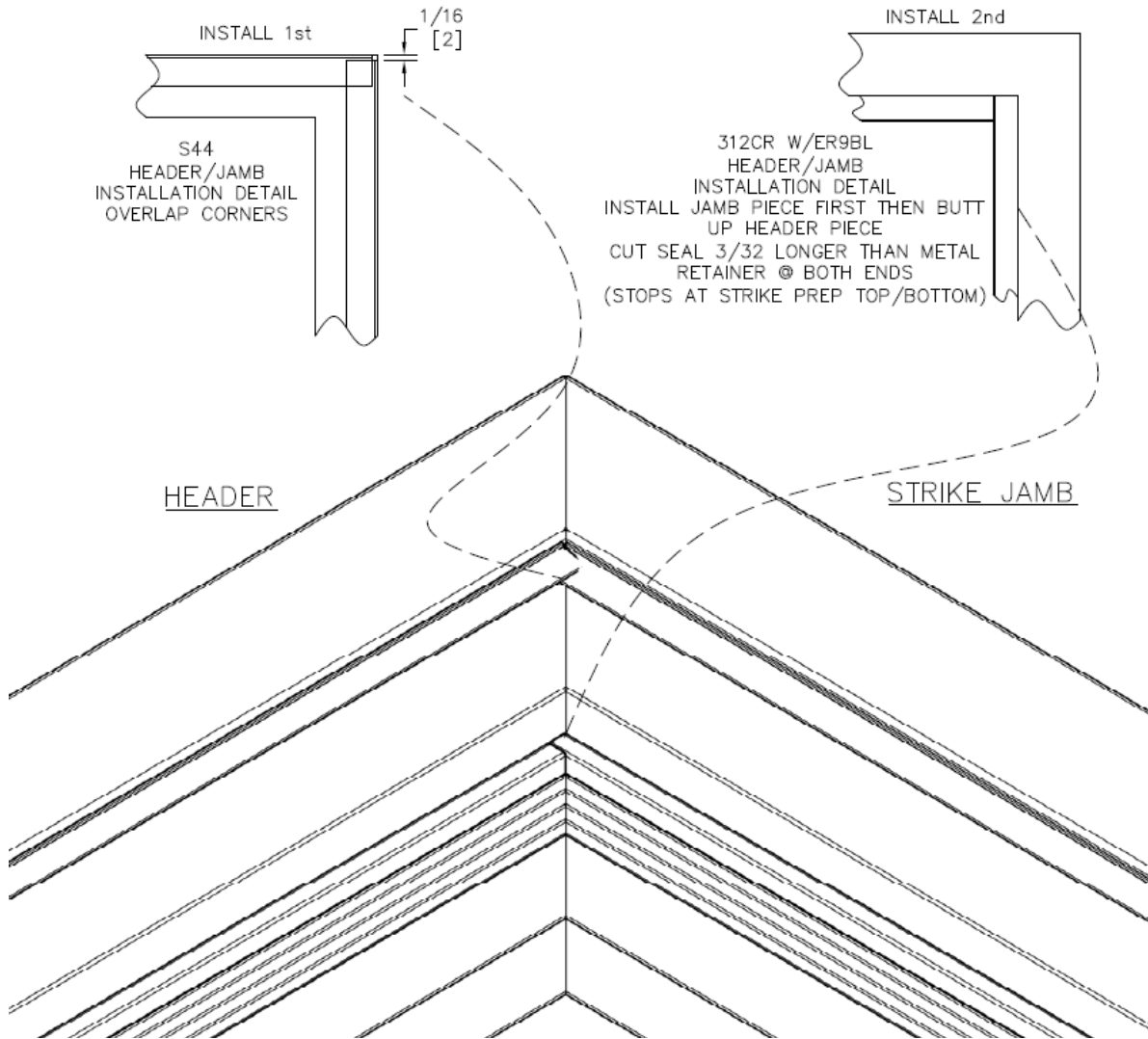
ACOUSTIC GASKET SYSTEMS

Installation Instruction 120



Date: June, 2013

Eggers Industries




**Eggers
Industries**
www.eggersondustries.com
sales@eggersondustries.com

Stile and Rail Doors,
Door Frames, Plywood
Veneered Components

Two Rivers Division
One Eggers Drive
Two Rivers, WI 54241
Phone: 920.793.1351
Fax: 920.793.2958

Flush Doors

Neenah Division
164 North Lake Street
Neenah, WI 54956
Phone: 920.722.6444
Fax: 920.722.0357

Architectural Veneer Faces,
Custom Wood Products,
Plywood

Kentucky Division
2125 Lake Jericho Road
Smithfield, KY 40068
Phone: 502.845.0154
Fax: 502.849.0444

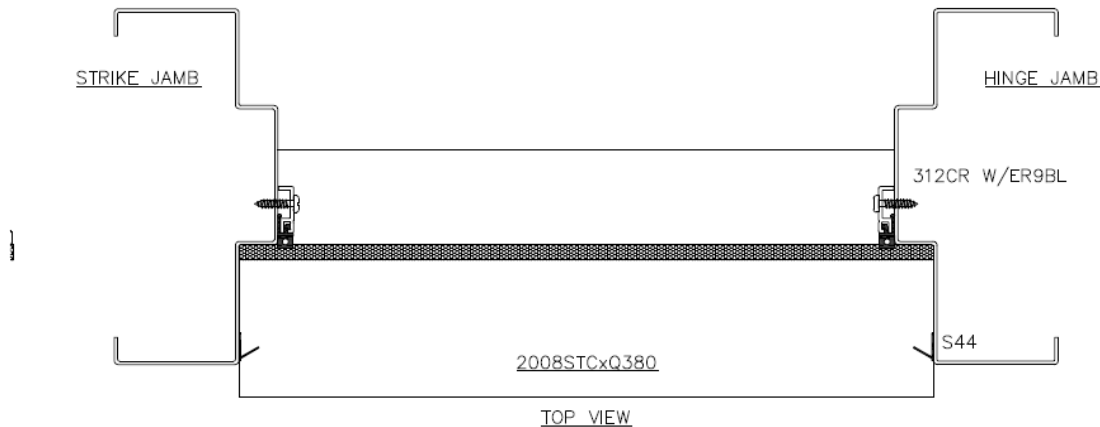
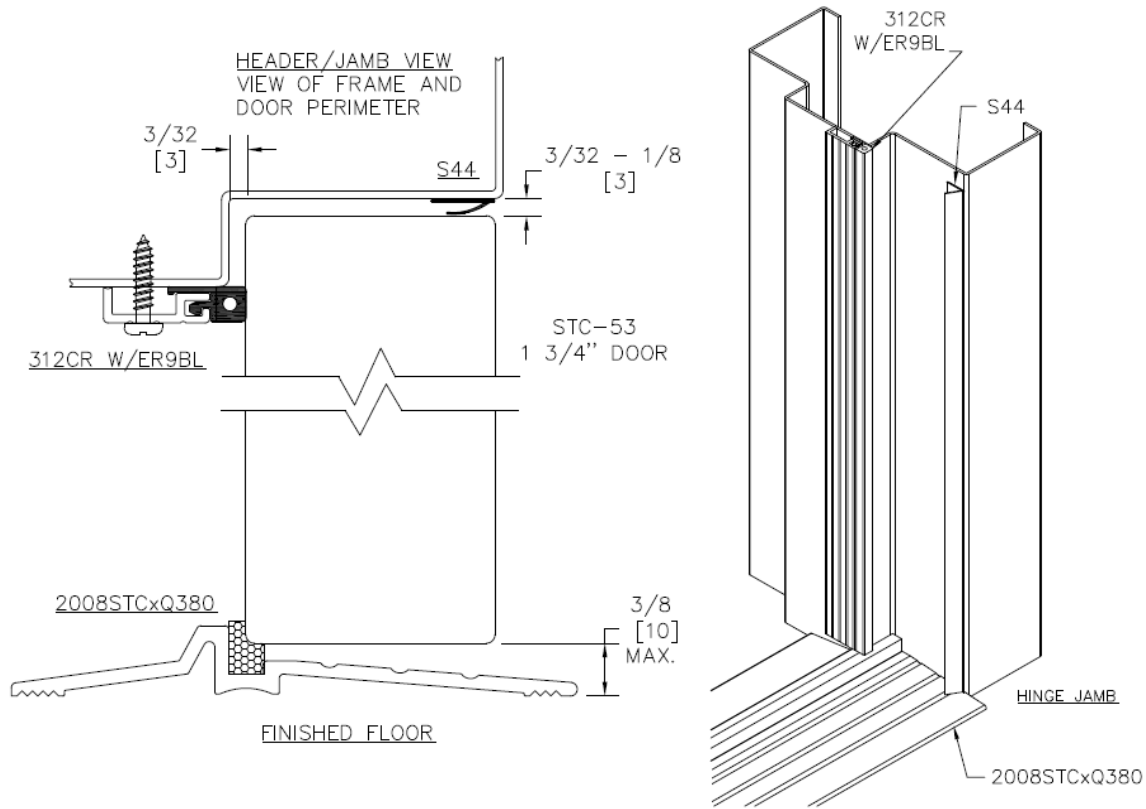
ACOUSTIC GASKET SYSTEMS

Installation Instruction 120



Date: June, 2013

Eggers Industries



DO NOT SCALE


Eggers Industries
www.eggersondustries.com
sales@eggersondustries.com

Stile and Rail Doors,
 Door Frames, Plywood
 Veneered Components

Two Rivers Division
 One Eggers Drive
 Two Rivers, WI 54241
 Phone: 920.793.1351
 Fax: 920.793.2958

Flush Doors

Neenah Division
 164 North Lake Street
 Neenah, WI 54956
 Phone: 920.722.6444
 Fax: 920.722.0357

Architectural Veneer Faces,
 Custom Wood Products,
 Plywood

Kentucky Division
 2125 Lake Jericho Road
 Smithfield, KY 40068
 Phone: 502.845.0154
 Fax: 502.849.0444