



PRINCIPLE BENEFITS AND FEATURES OF THIS CONSTRUCTION

- Lead free
- Available with a 90-minute fire rating
- LEED® MR4 - Recycled Content and EQ4.14 No Added Urea-Formaldehyde available

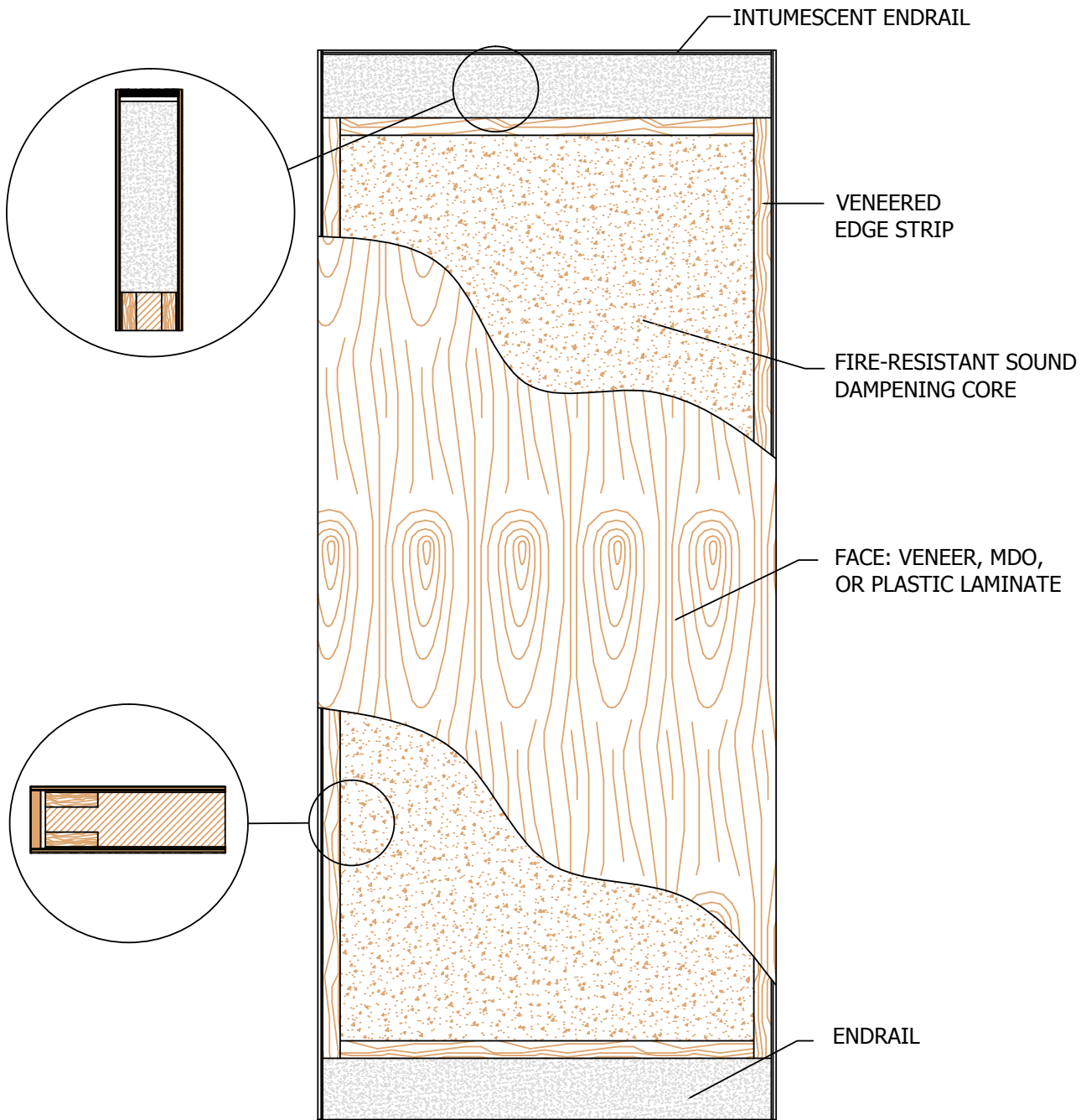
ENGINEERING SPECIFICATIONS

Sizes:	Min. 2'-0" x 6'-0", Max. 4'-0" x 8'-0"
Thickness:	1-3/4"
Frame:	Tested in grouted steel frame, must be installed in frame that will maintain the acoustical rating
Stiles:	Meets WDMA Extra Heavy Duty I.S. 1A Performance Level
Faces:	Wood Veneers, MDO, High-Pressure Decorative Laminate, Vinyl
Latching Hardware:	Single Point Latch
Hinges:	Level Swing - Butt Hinges
LEED® Contributions:	MR4 - Recycled Content, EQ4.4 - No Added Urea-Formaldehyde
Standards:	ASTM E90, E413

SINGLE SWING FLUSH DOORS	STC 39	STC 40
Fire-Rating	45-60-90-Minute	45-60-90-Minute
Lites	N/A	N/A
Gasket System	I	C
Test Report	TL06-053	TL06-051
Weight Per. Square Foot	7.7 lbs.	7.6 lbs.

PERFORMANCE DESCRIPTION

STC RATING	WHAT CAN BE HEARD THROUGH THE DOOR
20 - 25	Very poor - Low speech audible
25 - 30	Poor - Normal speech understood easily and distinctly
30 - 35	Fair - Loud speech understood fairly well
35 - 40	Good - Loud speech heard but hardly intelligible, this is the onset of acoustic "privacy"
40 - 50	Very Good - Loud speech heard faintly, 90% of a typical group sample not annoyed
50 - 52	Excellent - Loud sounds heard faintly or not at all, 99% of a typical group sample not annoyed



Eggers Industries
www.eggersindustries.com
sales@eggersindustries.com

**Stile and Rail Doors, Door Frames
Veneered Components, Plywood**

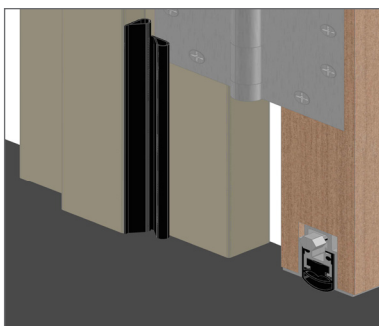
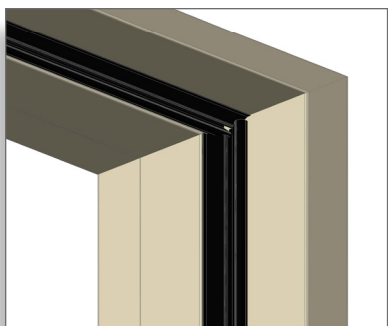
Two Rivers Division
One Eggers Drive
Two Rivers, WI 54241
Phone: 920.793.1351
Fax: 920.793.2958

Flush Doors

Neenah Division
164 North Lake Street
Neenah, WI 54956
Phone: 920.722.6444
Fax: 920.722.0357

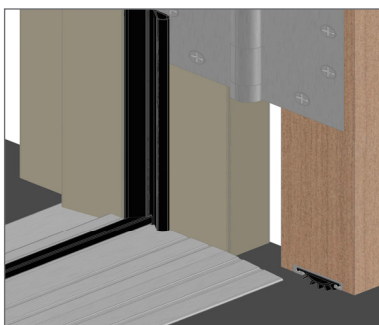
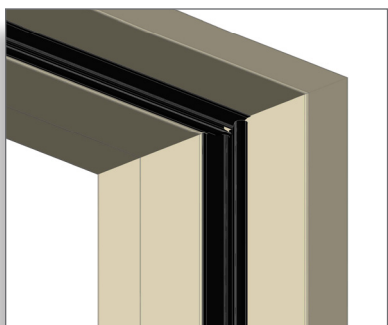
**Architectural Veneer Faces,
Custom Wood Products, Plywood**

Kentucky Division
2125 Lake Jericho Road
Smithfield, KY 40068
Phone: 502.845.0154
Fax: 502.849.0444



Gasket System I

- Double row Pemko S-88 adhesive gasketing
- Zero 369 automatic door bottom
- Required Undercut - 5/8"



Gasket System C

- Double row Pemko S-88 adhesive gasketing
- Pemko 234 door shoe
- Pemko 2005 raised threshold
- Required Undercut - 3/8"



Eggers Industries
www.eggersondustries.com
sales@eggersondustries.com

**Stile and Rail Doors, Door Frames
 Veneered Components, Plywood**

Two Rivers Division
 One Eggers Drive
 Two Rivers, WI 54241
 Phone: 920.793.1351
 Fax: 920.793.2958

Flush Doors

Neenah Division
 164 North Lake Street
 Neenah, WI 54956
 Phone: 920.722.6444
 Fax: 920.722.0357

**Architectural Veneer Faces,
 Custom Wood Products, Plywood**

Kentucky Division
 2125 Lake Jericho Road
 Smithfield, KY 40068
 Phone: 502.845.0154
 Fax: 502.849.0444