

5-Ply Flush Doors - Stock Bead Details

(Contact Sales for Use in Stile & Rail)

(Pricing May Vary - Please Contact Your Project Coordinator for Pricing Information)

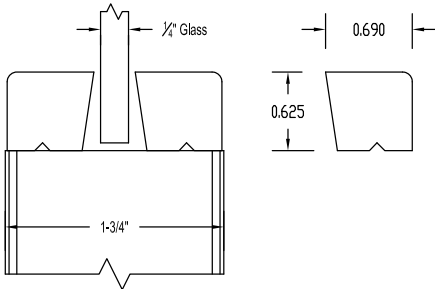
Construction Details 296



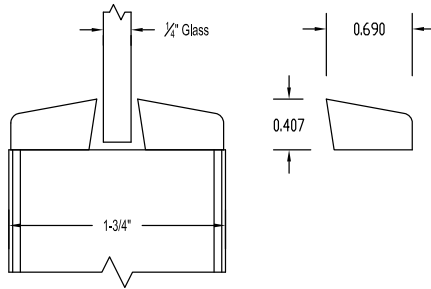
Eggers Industries

Date: April, 2013

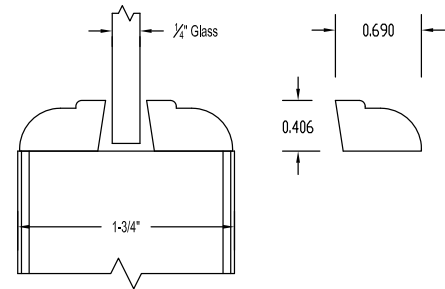
Please note: The standard downset for flush beads without reveals is 1/64".



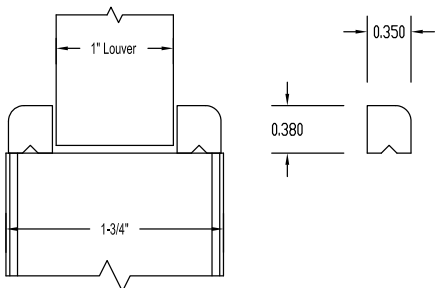
#100



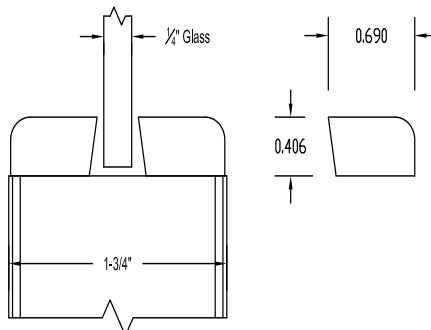
#101



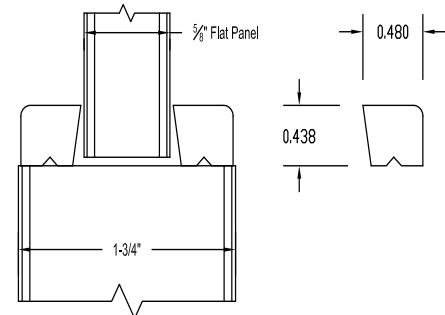
#103



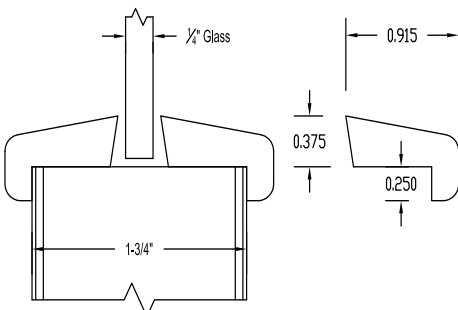
#104



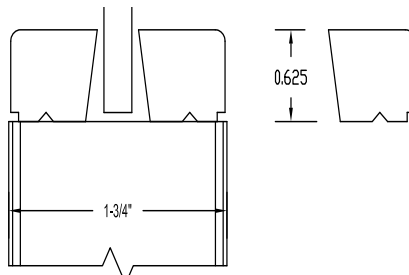
#105



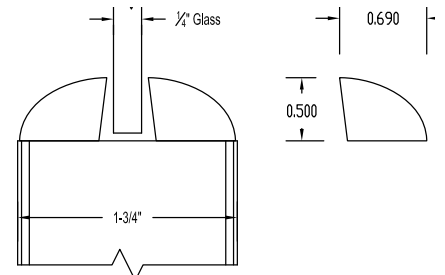
#106



#107



#108



#109



Eggers Industries

www.eggiersindustries.com
email: sales@eggiersindustries.com

Stile & Rail Doors,
Door Frames, Plywood,
Veneered Components

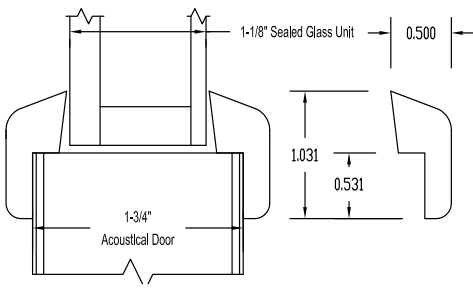
Two Rivers Division
One Eggers Drive
Two Rivers, WI 54241
Phone: 920.793.1351
Fax: 920.793.2958

Flush Doors

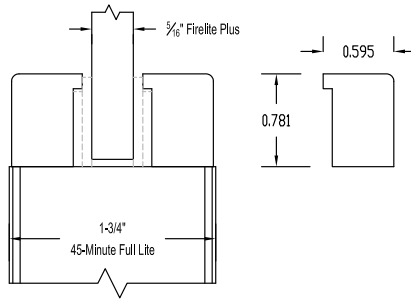
Neenah Division
164 North Lake Street
Neenah, WI 54956
Phone: 920.722.6444
Fax: 920.722.0357

Architectural Veneer Faces,
Custom Wood Products,
Plywood

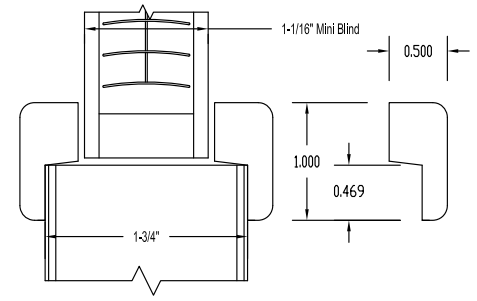
Kentucky Division
2125 Lake Jericho Road
Smithfield, KY 40068
Phone: 502.845.0154
Fax: 502.849.0444



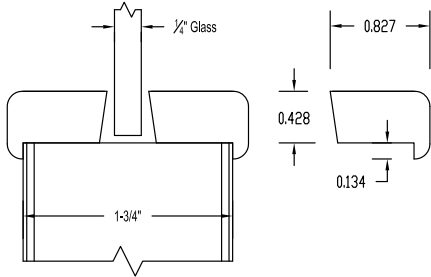
#110



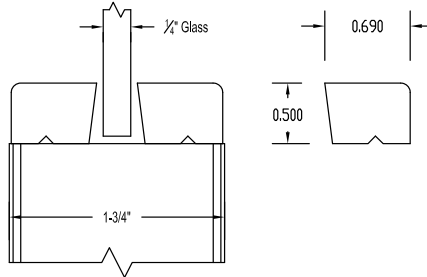
#114



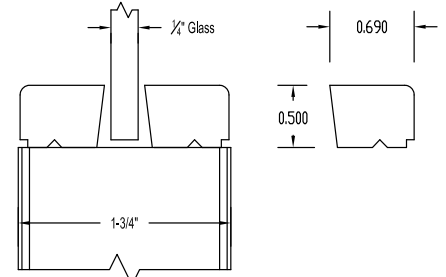
#115



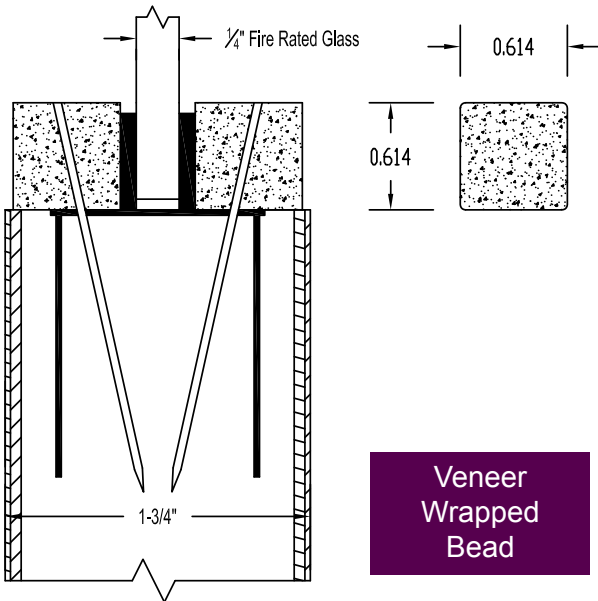
#120



#200



#208



Veneer
Wrapped
Bead

Calculating Visible Lite Dimension

Profile	Visible Lite = Cutout - Dimension Listed Below
100	1-1/4"
101	13/16"
103	13/16"
104	3/4"
105	13/16"
106	7/8"
107	3/4"
108	1-1/4"
109	1"
110	1"
114	1-9/16"
115	1-1/16"
120	55/64"
200	1"
208	1"
Veneer Wrapped Bead	1-1/4"