

**UL 20-Minute Frame & Sidelite or Borrowed Lite**  
Installation Instructions



**Eggers Industries**

**No. 900-03-10**

**UL 20-MINUTE FRAME & SIDELITE OR BORROWED LITE  
INSTALLATION INSTRUCTIONS**

**Maximum overall opening:** 170.25" wide X 11'-6" high. (frame Buck opening)

**Maximum door opening:** Single 4-0 X 9-0 / Pair 8-0 X 9-0

**Borrowed lite:** Maximum overall opening is 5'-9" wide X 11'-6" high.

**Wall depth:** Minimum 3-3/4" with 3/4" thick MDF liner behind the frame.

**Wall type:** Metal stud, wood stud or masonry. As an option metal stud or masonry openings may have a wood liner.

- Frames are installed with countersunk #8 X 2-1/2" long deck screws spaced maximum 4" from each end and 32" on center. Masonry walls require 1/4" X 2-1/4" masonry anchors spaced maximum 4" from each end and 32" on center. At wood stud walls or walls with a wood liner the frame may be installed with 10d finishing nails spaced maximum 4" from each end and 32" on center.
- Sills are installed with 1/4" X 2-1/4" masonry anchors spaced maximum 32" OC.
- Shim space is maximum 1/2". A shim space greater than 1/4" must be tightly filled with fiberglass insulation.

**T-STOP:** Minimum 1/2" X 1-1/2" (5/8" overall thickness.) T-stops are installed with #4 finish nails spaced maximum 4" from each end and 16" on center.

**CASING:** Minimum 3/8" thick X 1-3/4" wide. Casing is installed with minimum #4 finish nails spaced maximum 4" from each end and 16" on center and staggered.

**LITE STOPS:** Minimum 3/4" thick X 1-1/8" wide. Lite stops are installed with #6 finish nails or #6 X 1-5/8" trim screws spaced maximum 4" from each end and 8" on center. Maximum glass opening size is 36" X 96" or 96" X 36". Glazing clips are not required.

**PANEL STOPS:** Minimum 3/4" thick x 1-1/8" wide. Panel stops are installed with #6 finish nails or # 6 x 1-5/8" trim screws spaced minimum 4" from each end and 8" on center. Maximum panel opening is 48"x116".

**GLASS:** May be Firelite Plus manufactured by Technical Glass, Pyroedge-20 manufactured by Interedge Technologies or 1/4" diamond wire glass manufactured by Asahi or Pilkington. Glass must be cut 7/32" smaller than the opening size in width and height. Cutting tolerance is +/- 1/32".

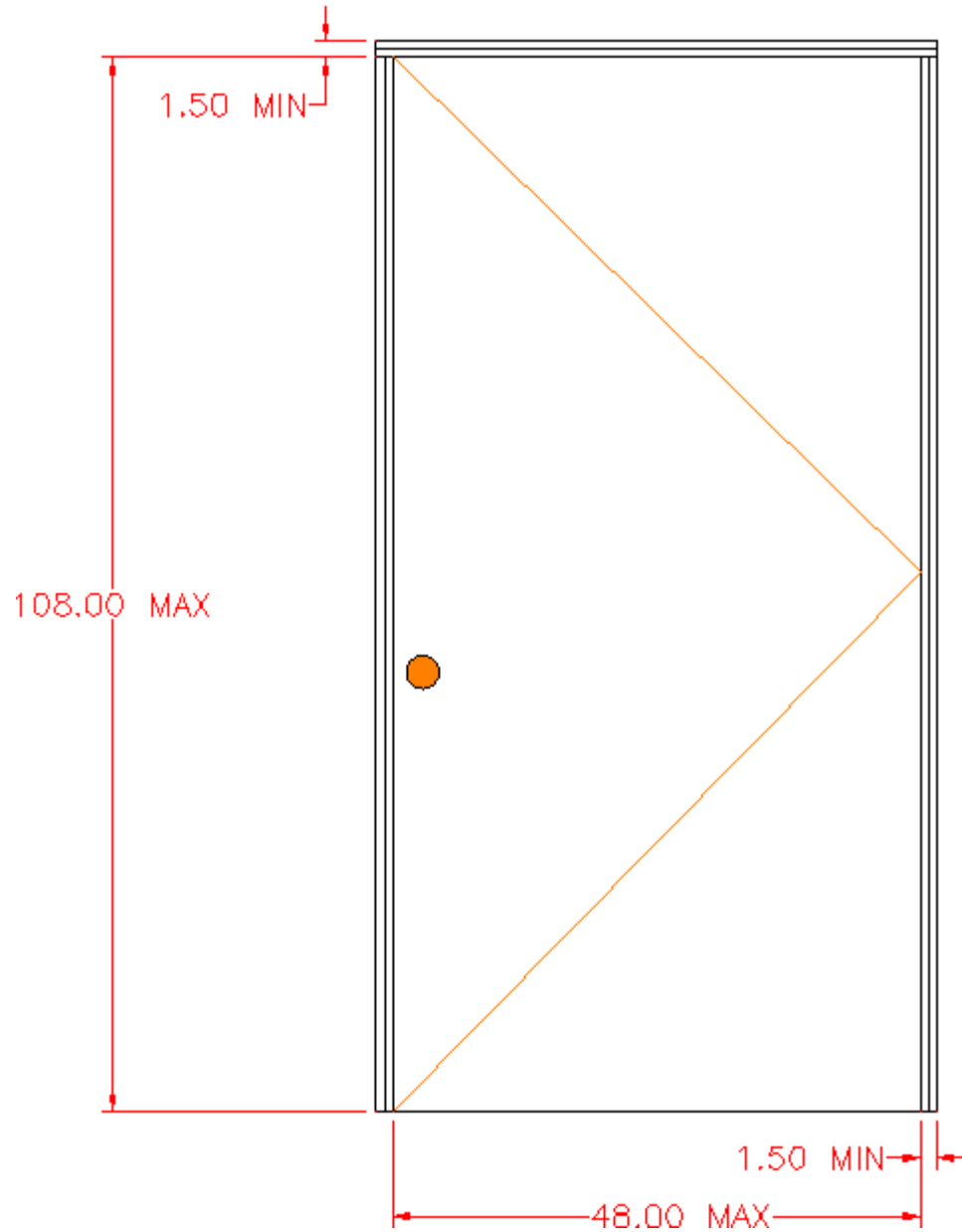
**PANELS:** Maximum panel opening is 48" X 116". Panels must be wood covered fire doors with minimum 20-minute rating. Panels may be installed with springbolts or countersunk No 8 X 2-1/2" long hi/lo deck screws on the vertical edges spaced maximum 10" from each end and 32" on center. HSS2000 intumescent seal material is to be applied around the perimeter of the panel along the centerline. Secure panel in place with wood stops on both sides.

*\*Pemko HSS2000 intumescent and Pemko S88 smoke seals are required only for positive pressure and smoke control openings. (UL 10C, U.B.C. 7-2 1997)*

*\*\*Failure to install the frame in accordance with these installation instructions voids the label.*



## 20-MINUTE UL ELEVATION



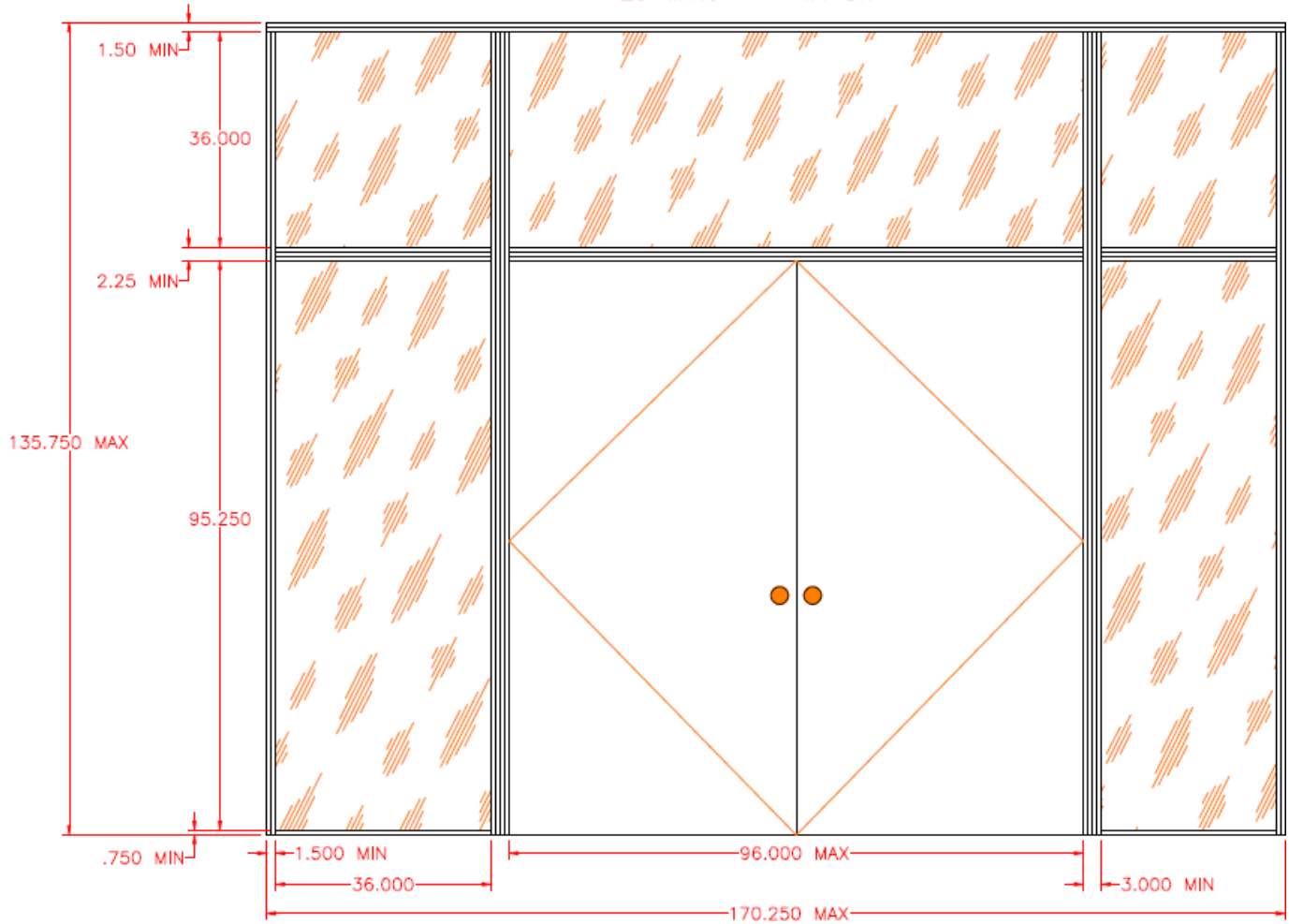
# UL 20-Minute Frame & Sidelite or Borrowed Lite Installation Instructions



Eggers Industries

No. 900-03-10

## 20-MINUTE ELEVATION



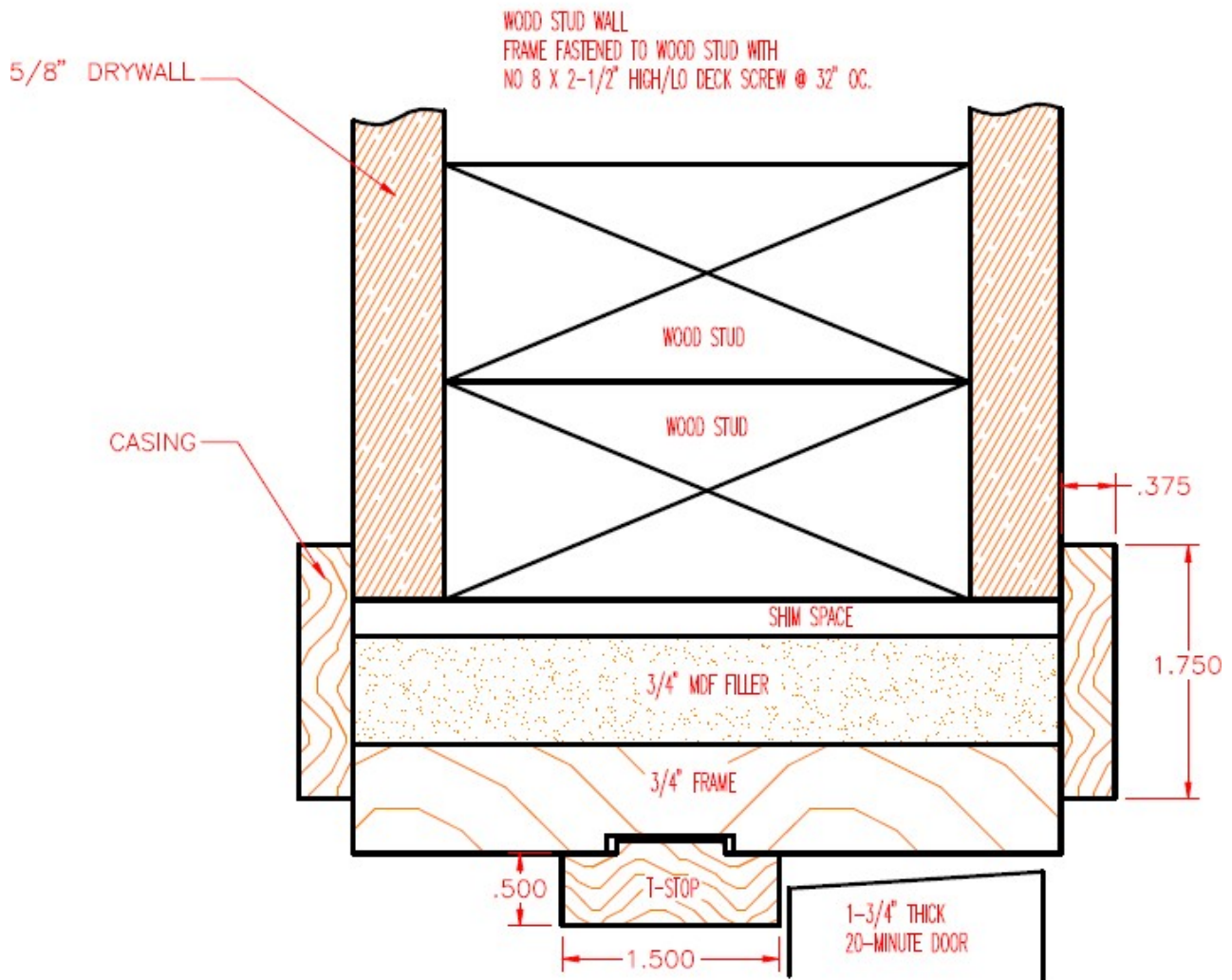
**UL 20-Minute Frame & Sidelite or Borrowed Lite**  
Installation Instructions



**Eggers Industries**

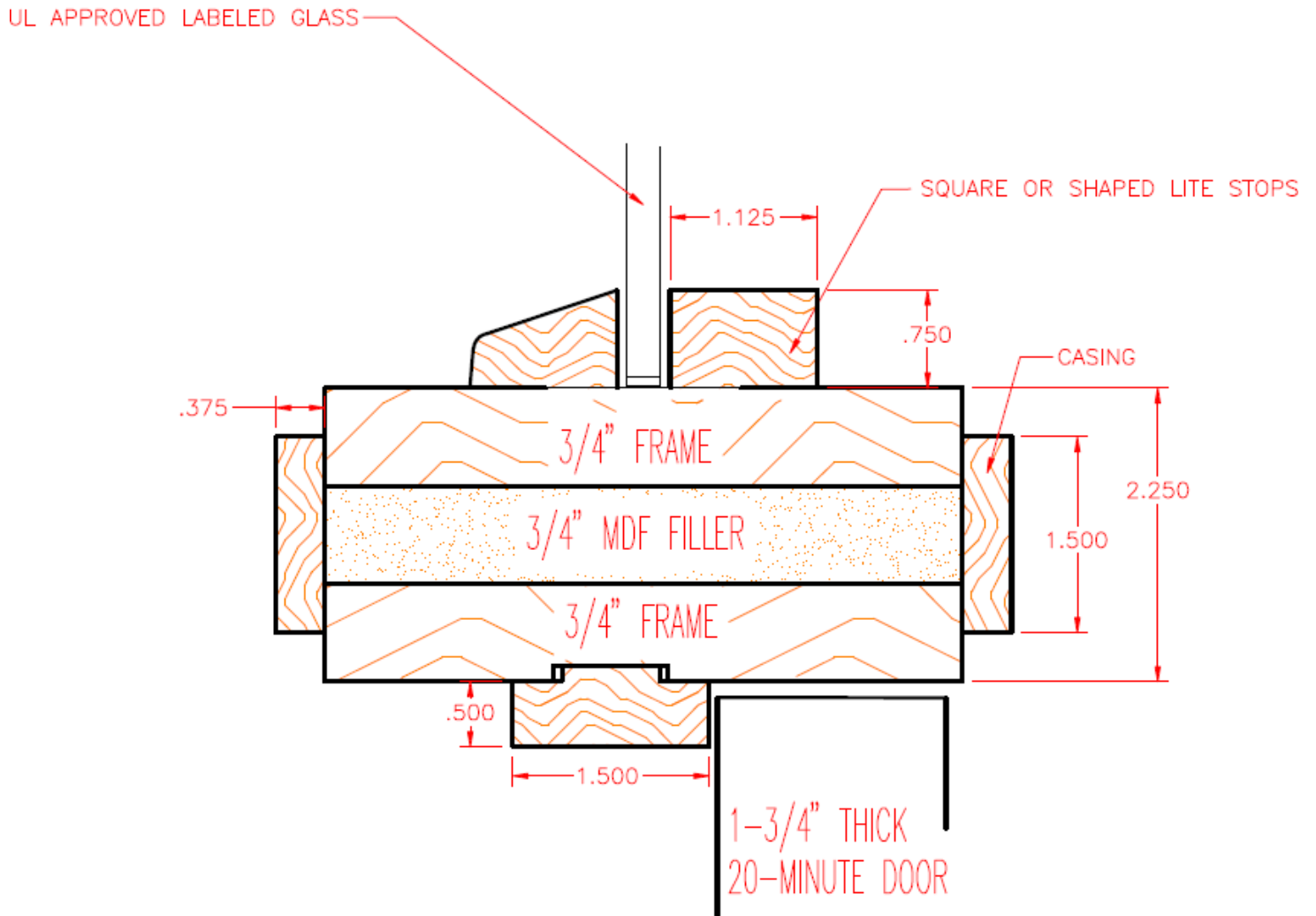
**No. 900-03-10**

FIREGUARD 20 MINUTE HEADER/JAMB  
IN WOOD STUD WALL





FIREGUARD 20 MINUTE TRANSOM BAR



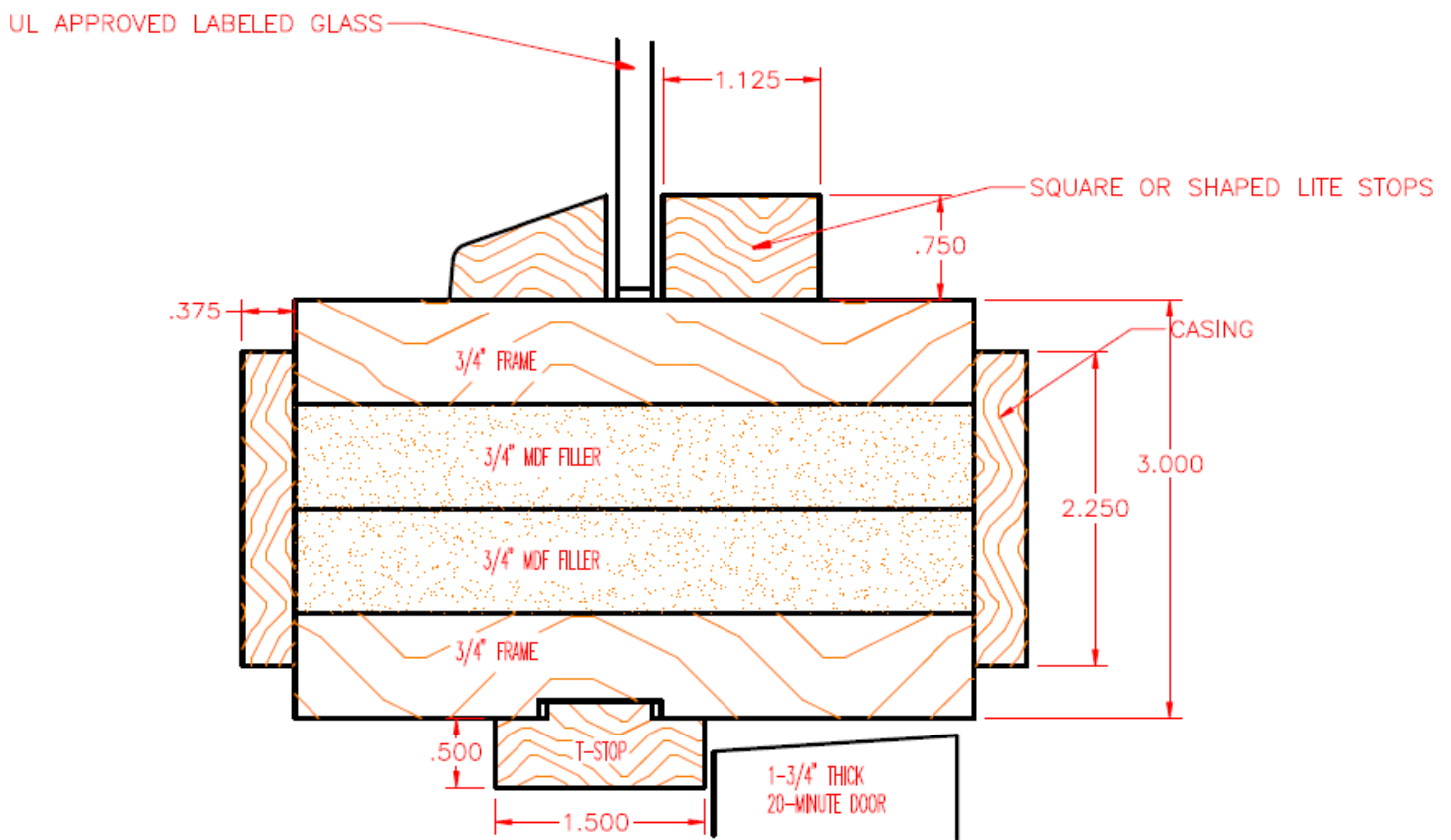
# UL 20-Minute Frame & Sidelite or Borrowed Lite Installation Instructions



Eggers Industries

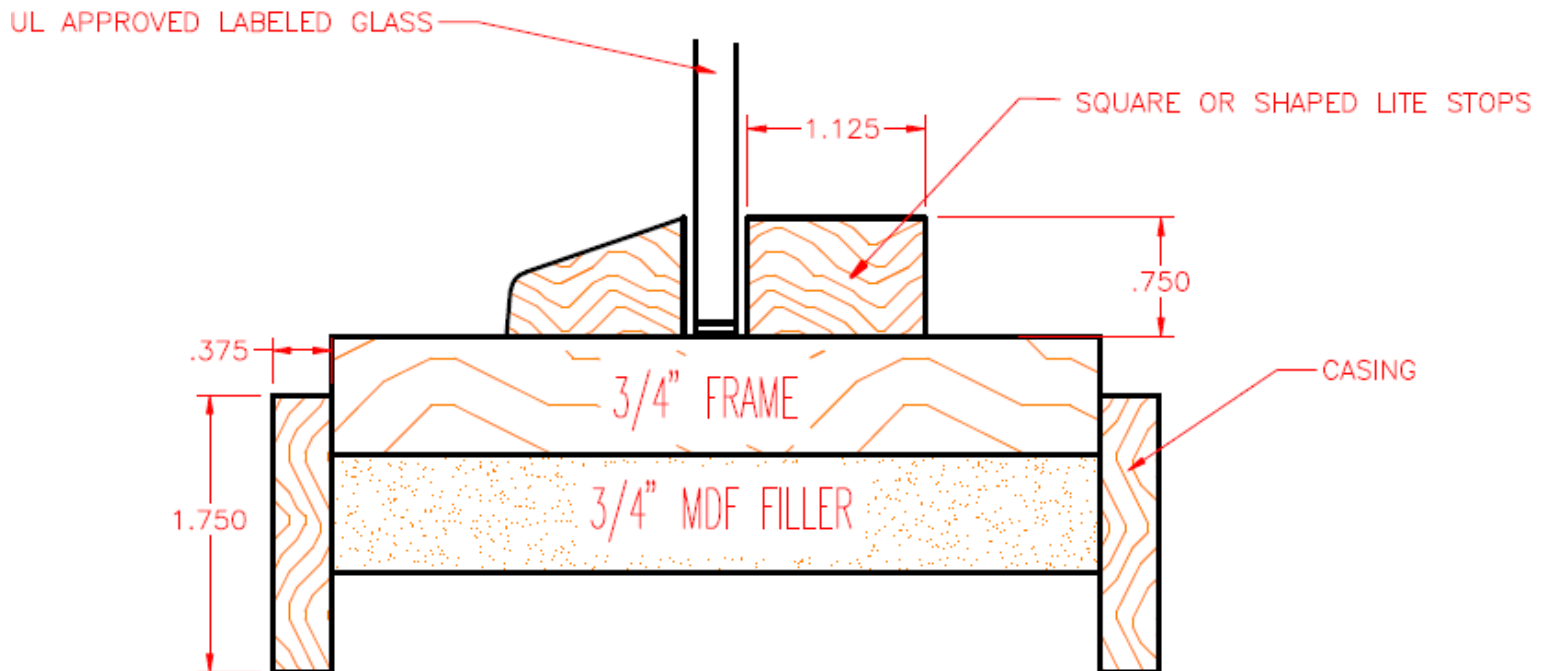
No. 900-03-10

## FIREGUARD 20 MINUTE COMMON DOOR/SIDELITE LEG



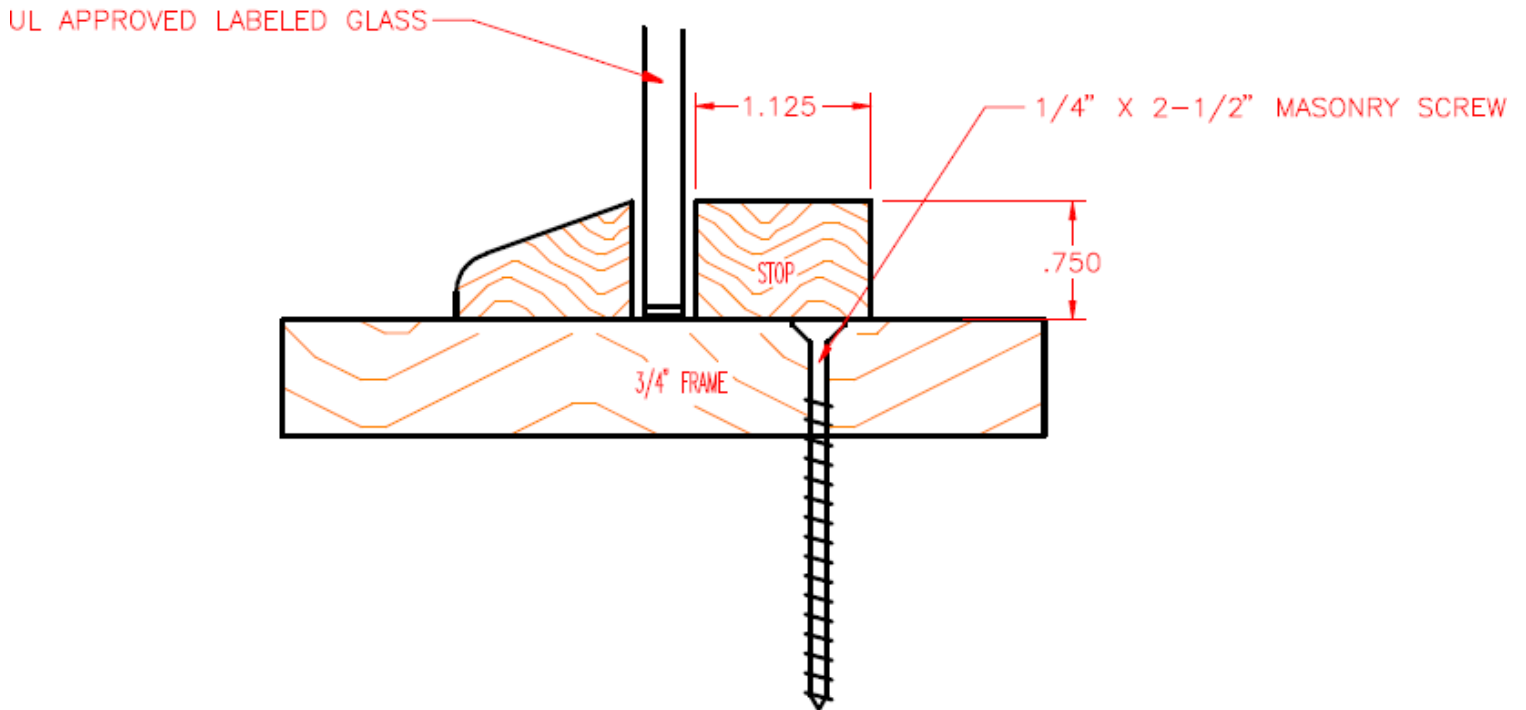


FIREGUARD 20 MINUTE  
SIDELITE/BORROWED LITE  
DETAIL





FIREGUARD 20 MINUTE  
SILL DETAIL



Eggers Industries

Stile & Rail Doors, Door Frames,  
Veneered Components, Plywood

Two Rivers Division  
One Eggers Drive  
Two Rivers, WI 54241  
Phone: 920.793.1351  
Fax: 920.793.2958

[www.eggertindustries.com](http://www.eggertindustries.com)

Flush Doors

Neenah Division  
164 North Lake Street  
Neenah, WI 54956  
Phone: 920.722.6444  
Fax: 920.722.0357

email: [sales@eggertindustries.com](mailto:sales@eggertindustries.com)