

# UL 45-Minute Frame & Sidelite or Borrowed Lite

## Installation Instructions



Eggers Industries

No. 910-03-10

**Maximum overall opening:** 144" wide x 135.75" high. (Frame Buck opening)

**Maximum door opening:** Single 4-0 x 9-0 / Pair 6-0 x 9-0 or 8-0 x 8-0

**Borrowed lite:** Maximum overall opening is 5'-9" wide x 11'-6" high.

**Wall depth:** Minimum 4-7/8" with 3/4" thick MDF liner behind the frame.

**Wall type:** Metal stud, wood stud or masonry. As an option metal stud or masonry openings may have a wood liner.

**Intumescent caulk:** FlameSafe (Grace), Metacaulk1000 (RectorSeal), or Firestop Plus (Jaco)

- Frames are installed with countersunk #8 x 2-1/2" long deck screws spaced maximum 4" from each end and 32" on center. Masonry walls require 1/4" x 2-1/4" masonry anchors spaced maximum 4" from each end and 32" on center. At wood stud walls or walls with a wood liner the frame may be installed with 10d finishing nails spaced maximum 4" from each end and 32" on center.
- Sills are installed with 1/4 x 2-1/4" masonry anchors spaced maximum 32" OC.
- Shim space maximum 1/2". Shim space greater than 1/4" must be tightly filled with fiberglass insulation.
- Apply intumescent caulk a minimum of 3/8" deep filling shim space continuously on both sides of frame after frame is shimmed and installed into opening.

**T-Stop:** Minimum 1/2" X 1-1/2" (5/8" overall thickness.) T-stops are installed with 4d finish nails spaced maximum 4" from each end and 16" on center.

**Casing:** Minimum 3/8" thick and 1-3/4" wide. Casing is installed with minimum 4d finish nails spaced maximum 4" from each end and 16" on center and staggered. Casing must cover shim space.

**Lite stops:** Minimum 3/4" thick x 1-5/8" wide. Lite stops installed with "6d finish nails or No 6 x 1-5/8" trim screws spaced maximum 4" from each end and 8" on center. Glazing clips installed maximum 10" from each corner and maximum 24" on center. Clips installed with No 6 x 1-1/4 hi/lo drywall screws or 4d common nails using 4 fasteners per glazing clip. Nails are provided with the glazing clips.

**Panel Stops:** Minimum 3/4" thick x 1-1/8" wide. Panel stops are installed with #6 finish nails or # 6 x 1-5/8" trim screws spaced minimum 4" from each end and 8" on center. Maximum panel opening is 48"x116".

**Glass:** Maximum glass opening size is 36" x 96" or 96" x 36". May be Firelite plus manufactured by Technical Glass or 1/4" diamond wire glass manufactured by Asahi or Pilkington. Glass must be cut 7/32" smaller than the opening size in width and height. Cutting tolerance is +/- 1/32".

**Panels:** Maximum panel opening is 48" x 116". Panels must be wood covered composite core fire doors with minimum 45-minute rating. Panels may be installed with springbolts or countersunk No 8 x 2-1/2" long hi/lo deck screws on the vertical edges spaced maximum 10" from each end and 32" on center. Intumescent caulk or HSS2000 intumescent seal material is to be applied around the perimeter of the panel along the centerline, refer to details. Secure panel in place with wood stops on both sides.

*\*Intumescent caulk or HSS2000 is required only for positive pressure and smoke control openings (UL 10C, U.B.C. 7-2 1997).*

*\*\*Failure to install the frame in accordance with these installation instructions voids the label.*

*\*\*\* Door opening perimeter hot and cold smoke seals are determined by opening category type and supplied by door manufacturer or contractor.*

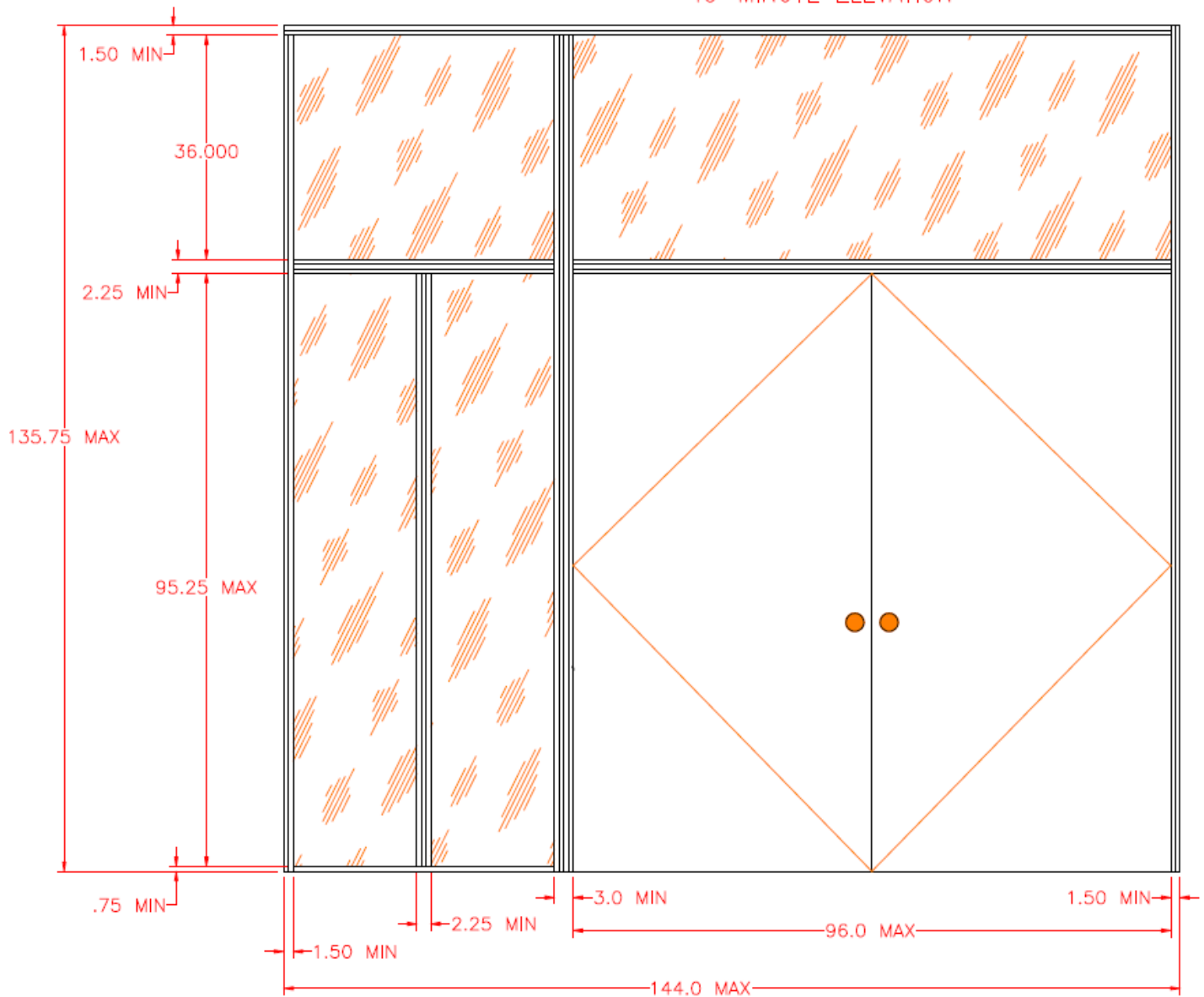
# UL 45-Minute Frame & Sidelite or Borrowed Lite Installation Instructions



Eggers Industries

No. 910-03-10

## 45-MINUTE ELEVATION



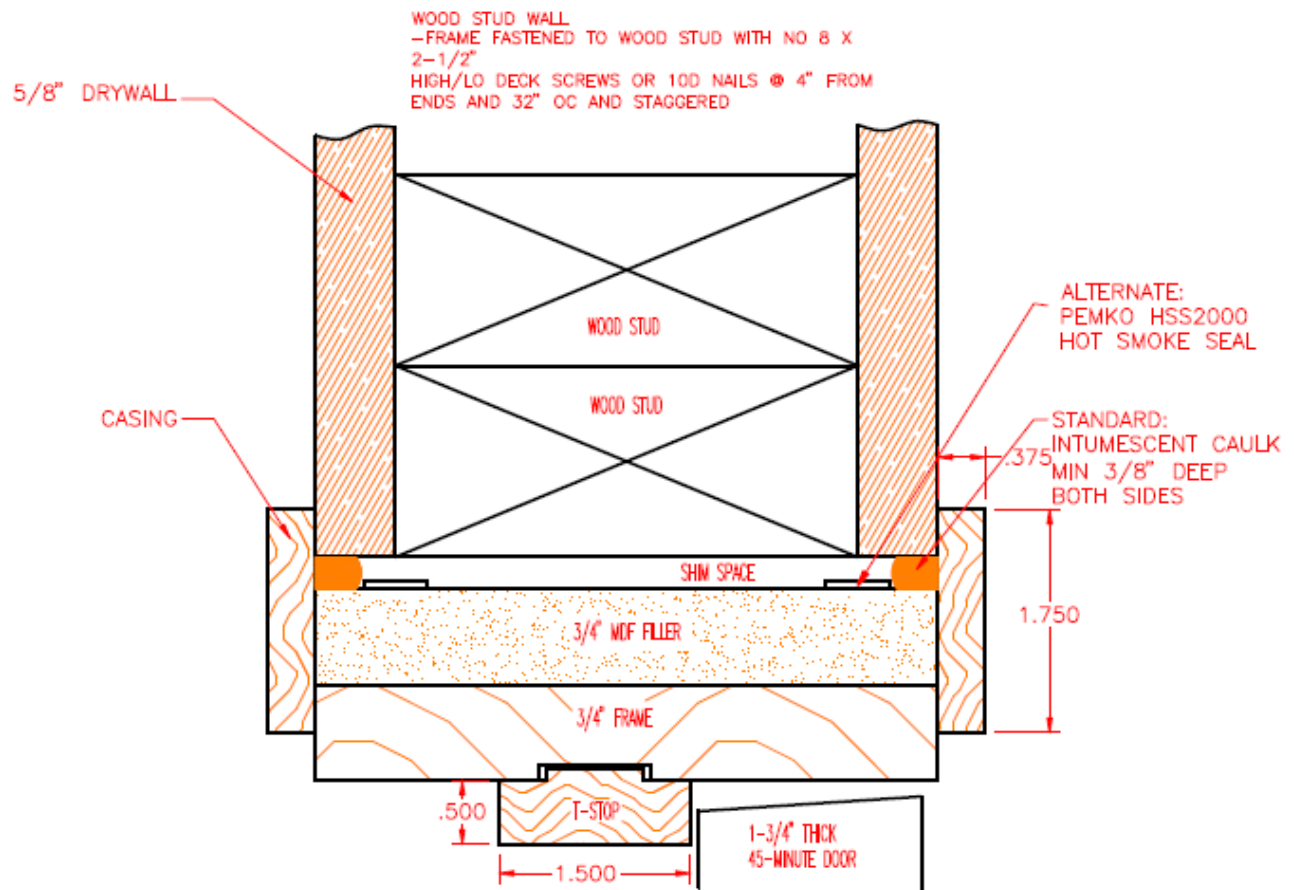
# UL 45-Minute Frame & Sidelite or Borrowed Lite Installation Instructions



Eggers Industries

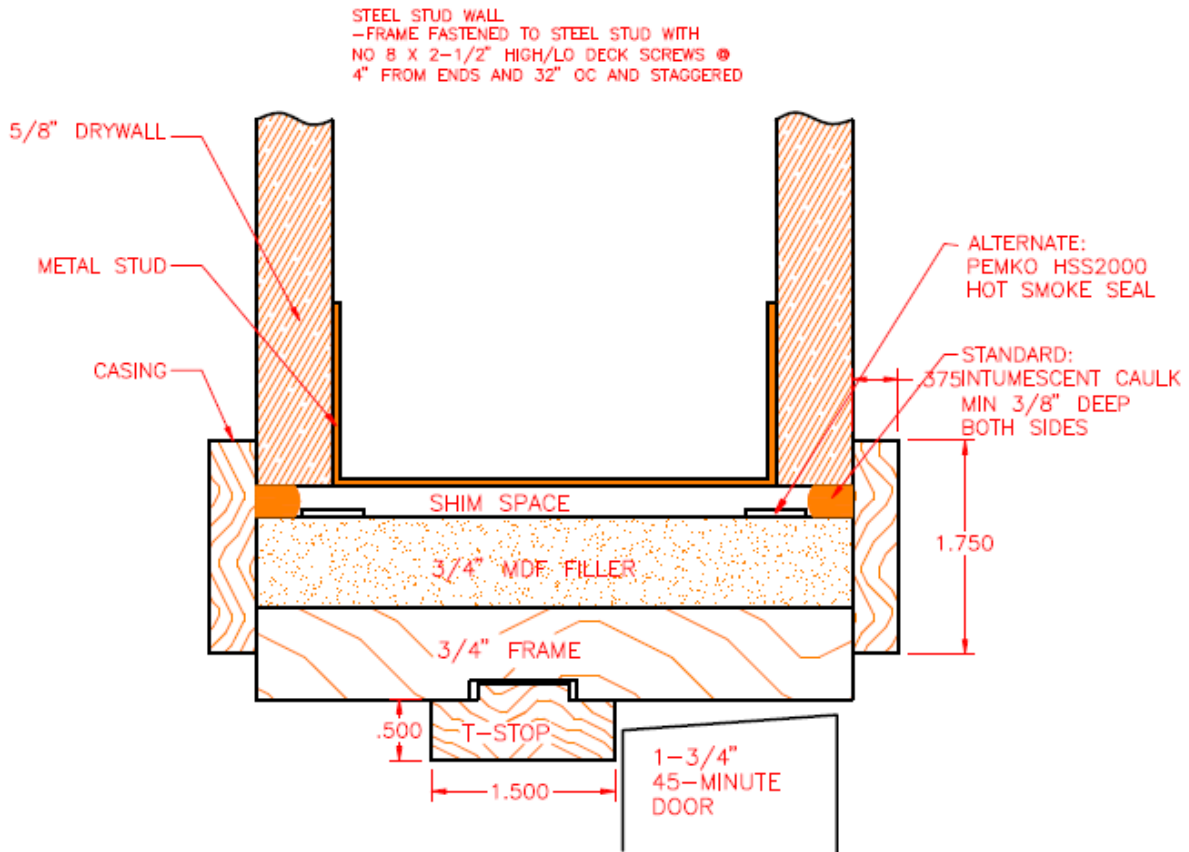
No. 910-03-10

## FIREGUARD 45 MINUTE HEADER/JAMB IN WOOD STUD WALL





FIREGUARD 45 MINUTE HEADER/JAMB  
IN METAL STUD WALL



# UL 45-Minute Frame & Sidelite or Borrowed Lite Installation Instructions

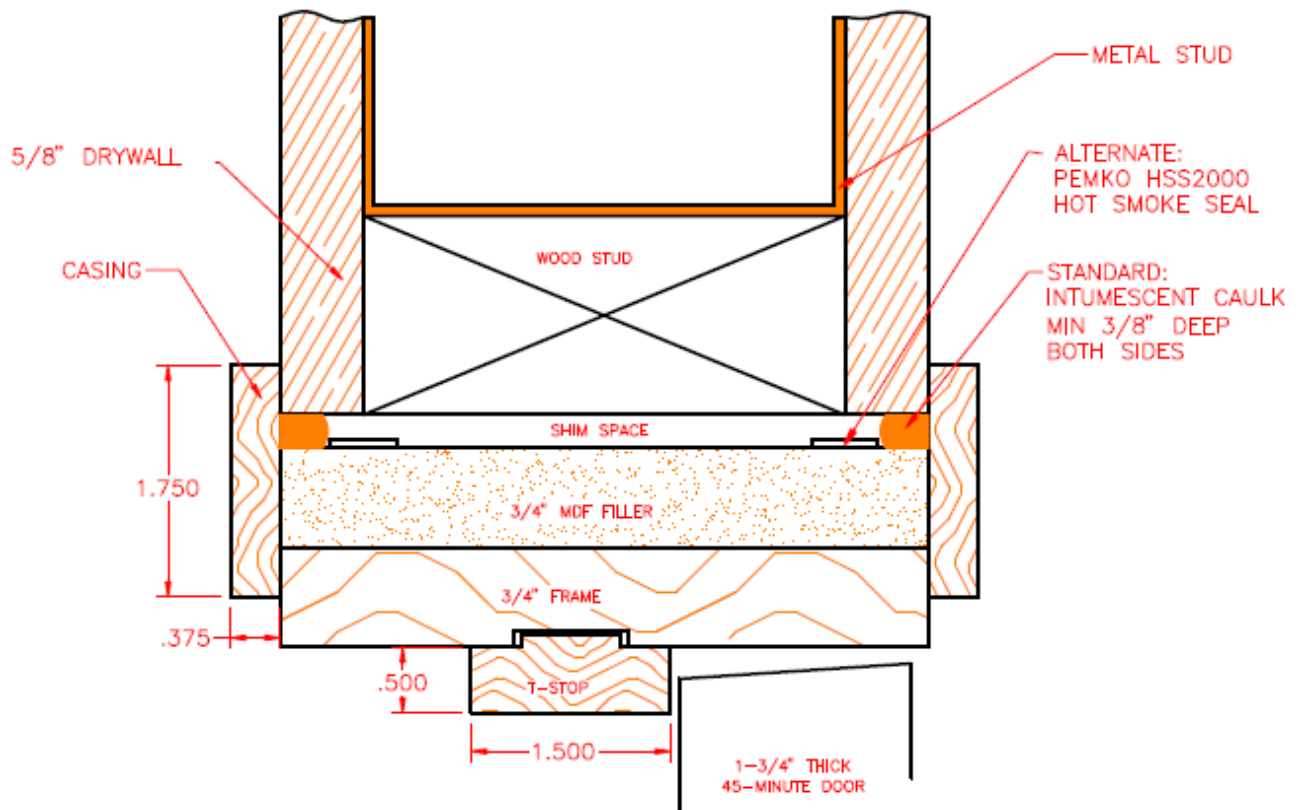


Eggers Industries

No. 910-03-10

## FIREGUARD 45 MINUTE HEADER/JAMB IN METAL STUD WALL WITH WOOD LINER

STEEL STUD WALL WITH LUMBER LINER  
-WOOD LINER FASTENED TO STEEL STUD WITH  
NO 8 X 2-1/2" HIGH/LO DECK SCREWS @ 32" OC.  
-FRAME FASTENED TO WOOD LINER WITH NO  
8 X 2-1/2" HIGH/LO DECK SCREWS OR 10D  
NAILS @ 4" FROM ENDS AND 32" OC AND STAGGERED



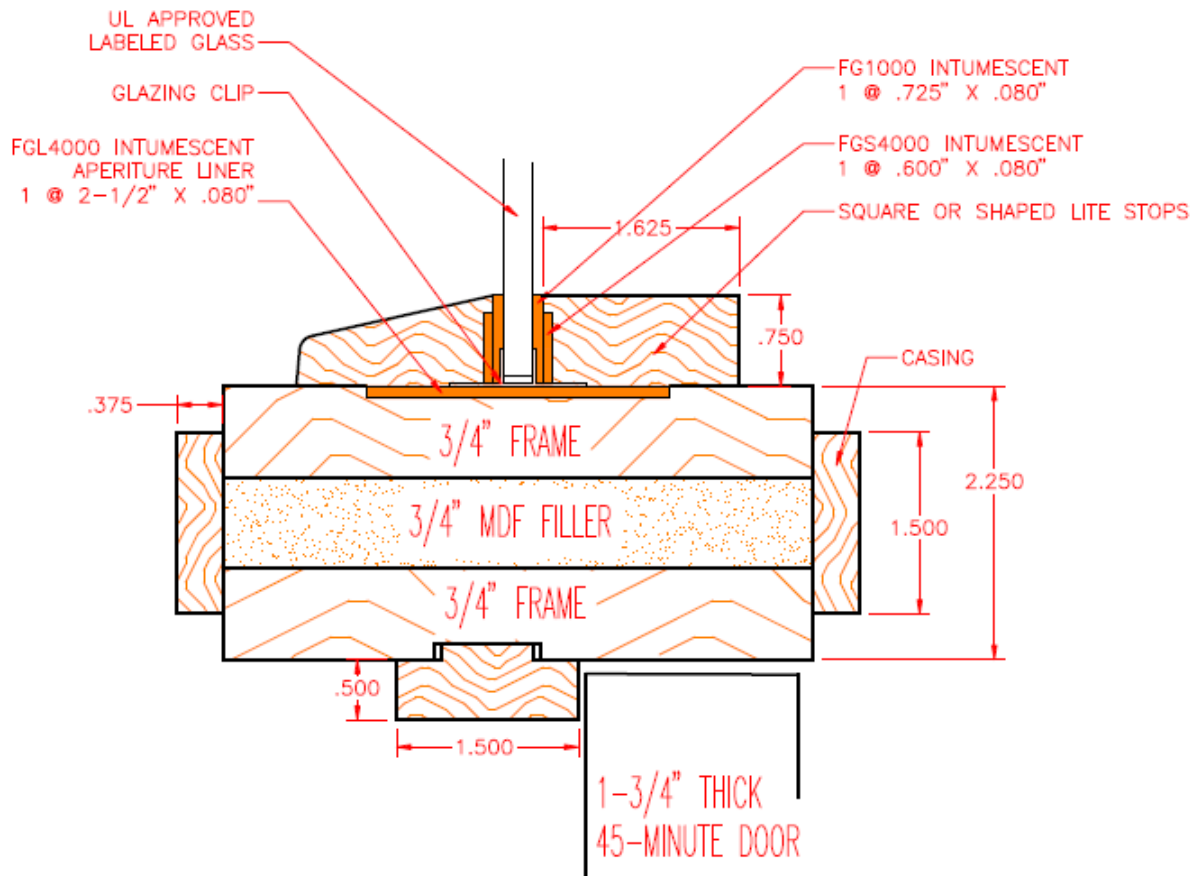
# UL 45-Minute Frame & Sidelite or Borrowed Lite Installation Instructions



Eggers Industries

No. 910-03-10

## FIREGUARD 45 MINUTE TRANSOM BAR



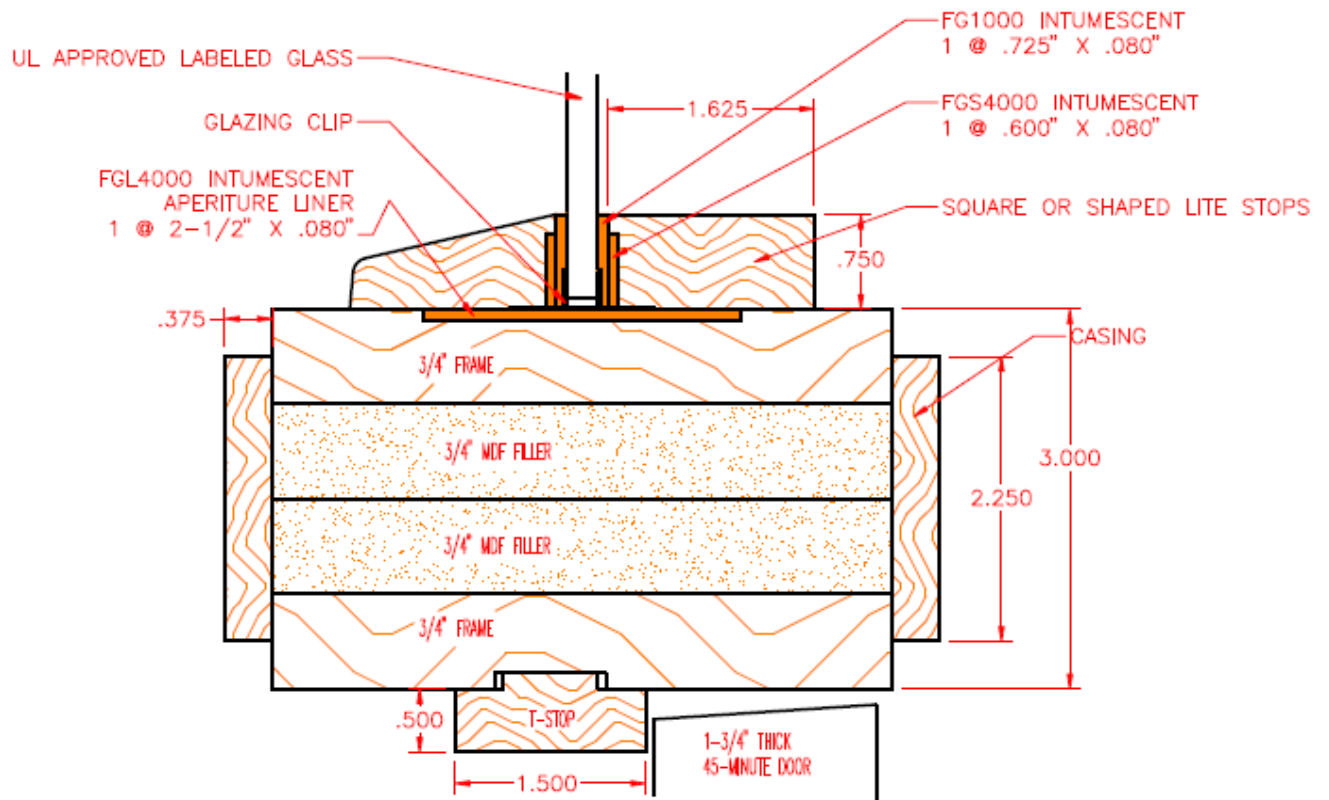
# UL 45-Minute Frame & Sidelite or Borrowed Lite Installation Instructions



Eggers Industries

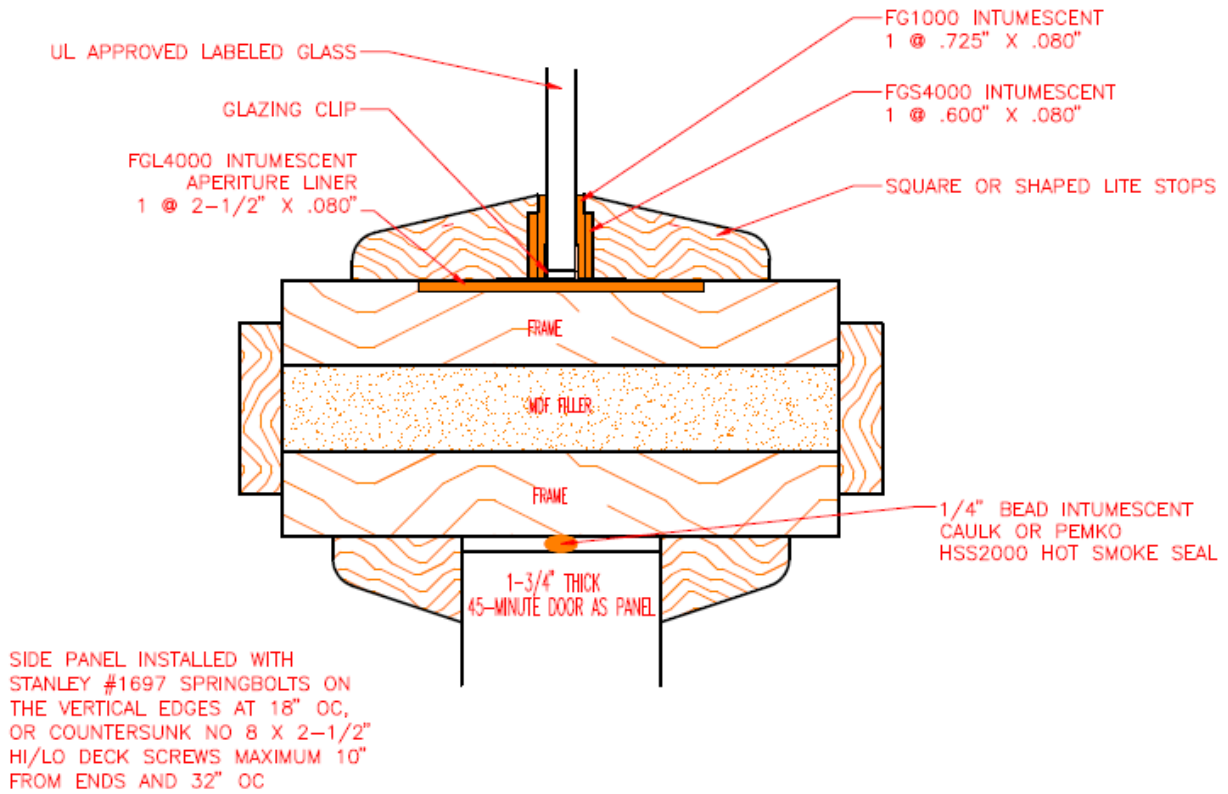
No. 910-03-10

## FIREGUARD 45 MINUTE COMMON DOOR/SIDELITE LEG





FIREGUARD 45 MINUTE COMMON MEMBER  
(SIDE LITE AND FIXED PANEL SHOWN)





# UL 45-Minute Frame & Sidelite or Borrowed Lite Installation Instructions



Eggers Industries

No. 910-03-10

## FIREGUARD 45 MINUTE SIDELITE/BORROWED LITE/SILL (METAL STUD WALL & FIXED PANEL SHOWN)

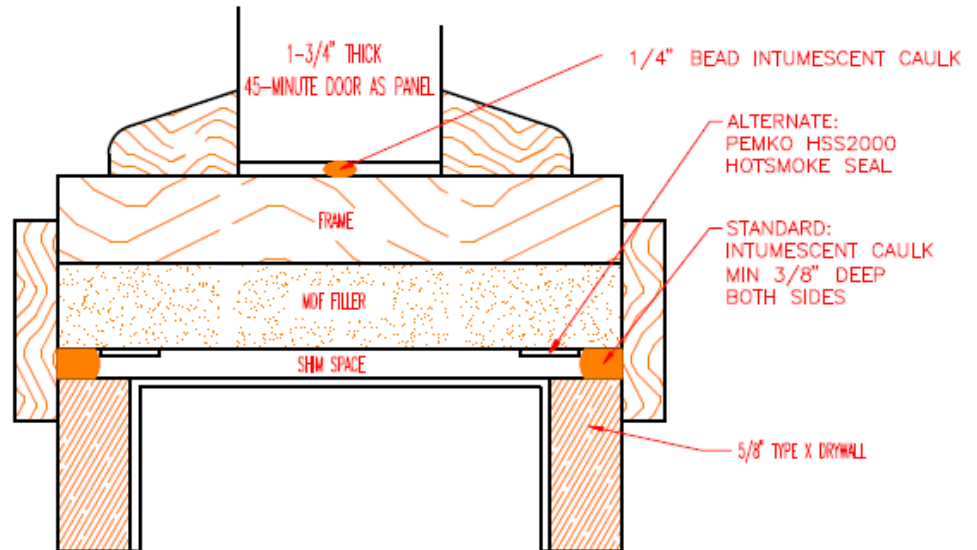
STEEL STUD WALL WITH LUMBER LINER  
-WOOD LINER FASTENED TO STEEL STUD WITH  
NO 8 X 2-1/2" HIGH/LO DECK SCREWS @ 32" OC.  
-FRAME FASTENED TO WOOD LINER WITH NO 8 X 2-1/2"  
HIGH/LO DECK SCREWS OR 10D NAILS @ 4" FROM  
ENDS AND 32" OC AND STAGGERED

WOOD STUD WALL  
-FRAME FASTENED TO WOOD STUD WITH NO 8 X  
2-1/2" HIGH/LO DECK SCREWS OR 10D NAILS @  
4" FROM ENDS AND 32" OC AND STAGGERED

STEEL STUD WALL  
-FRAME FASTENED TO STEEL STUD WITH NO 8 X  
2-1/2" HIGH/LO DECK SCREWS @ 4" FROM ENDS  
AND 32" OC AND STAGGERED

MASONRY WALL OR FLOOR  
-FRAME FASTENED TO MASONRY WALL WITH 1/4" X  
2-1/4" MASONRY ANCHORS @ 4" FROM ENDS AND  
32" OC AND STAGGERED

SIDE PANEL INSTALLED WITH  
STANLEY #1697 SPRINGBOLTS ON  
THE VERTICAL EDGES AT 18" OC,  
OR COUNTERSUNK NO8 X 2-1/2"  
HI/LO DECK SCREWS MAXIMUM 10"  
FROM ENDS AND 32" OC



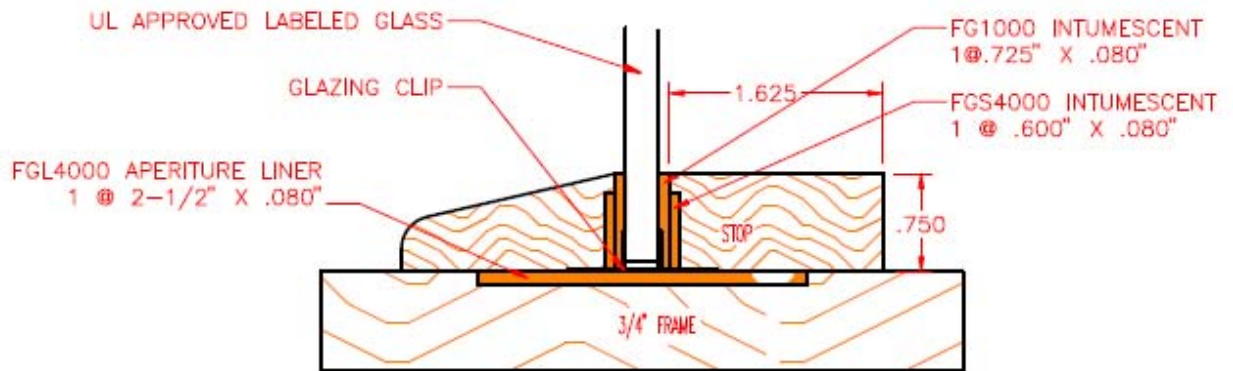
# UL 45-Minute Frame & Sidelite or Borrowed Lite Installation Instructions



Eggers Industries

No. 910-03-10

## FIREGUARD 45 MINUTE SILL DETAIL



SIDE PANEL INSTALLED WITH  
STANLEY #1697 SPRINGBOLTS ON  
THE VERTICAL EDGES AT 18" OC,  
OR COUNTERSUNK NO 8 X 2-1/2"  
HI/LO DECK SCREWS MAXIMUM 10"  
FROM ENDS AND 32" OC

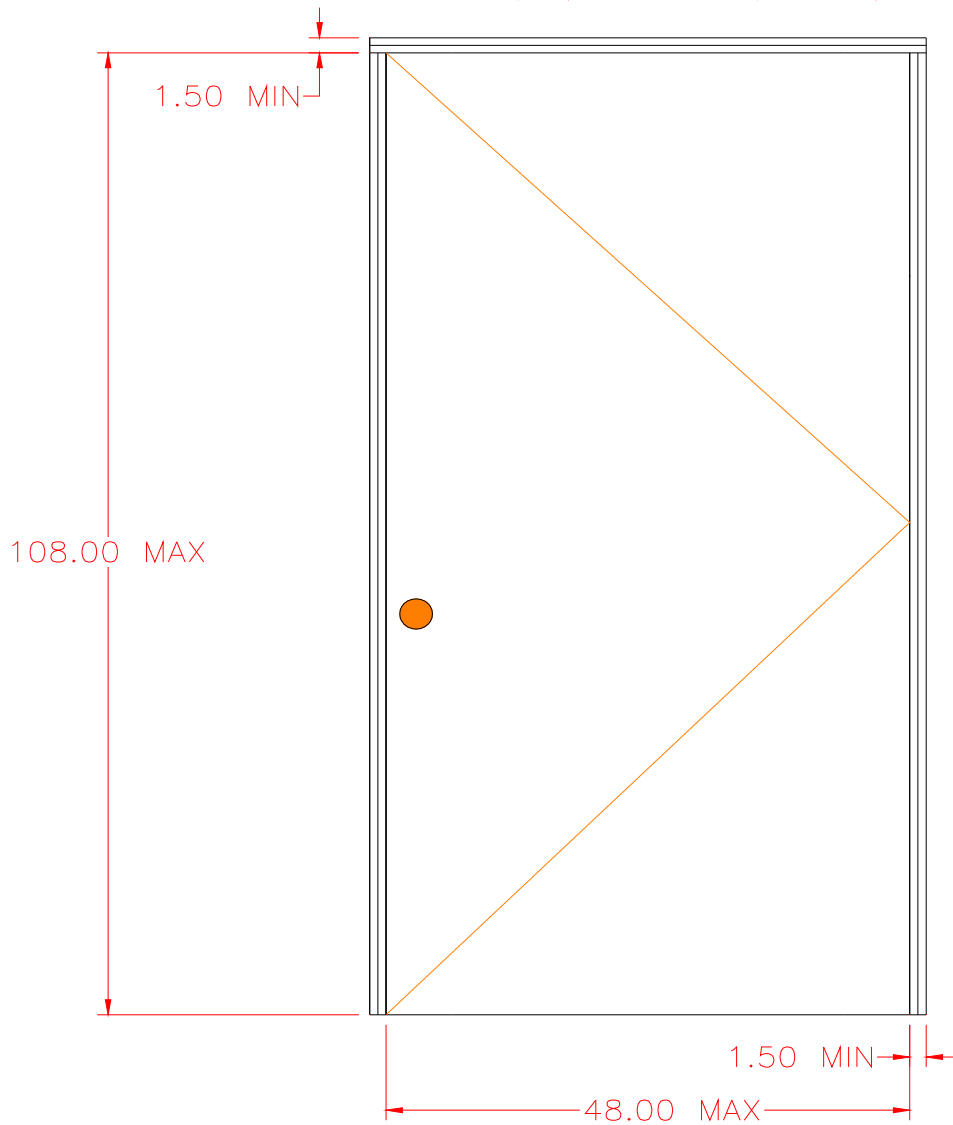
**UL 45-Minute Frame & Sidelite or Borrowed Lite**  
Installation Instructions



No. 910-03-10

Eggers Industries

45-MINUTE ELEVATION



**UL 45-Minute Frame & Sidelite or Borrowed Lite**  
Installation Instructions

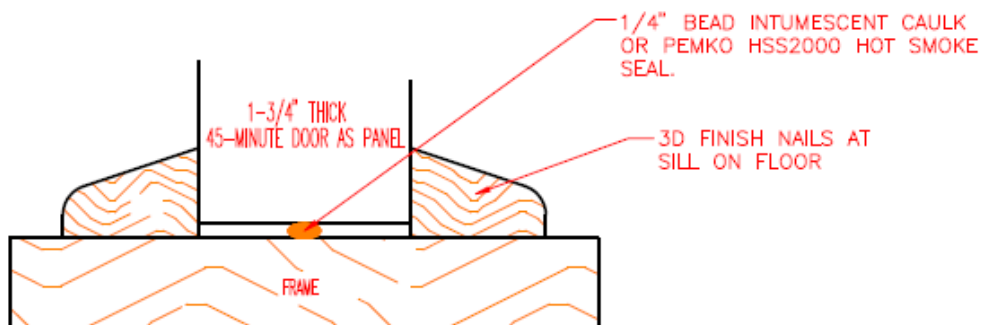


**Eggers Industries**

**No. 910-03-10**

**FIREGUARD 45 MINUTE SILL**  
**(SILL ON FLOOR & FIXED PANEL SHOWN)**

SIDE PANEL INSTALLED WITH STANLEY #1697 SPRINGBOLTS ON THE VERTICAL EDGES AT 18" OC, OR COUNTERSUNK NO 8 X 2-1/2" HI/LO DECK SCREWS MAXIMUM 10" FROM ENDS AND 32" OC



**Stile & Rail Doors, Door Frames,  
Veneered Components, Plywood**

**Two Rivers Division**  
One Eggers Drive  
Two Rivers, WI 54241  
Phone: 920.793.1351  
Fax: 920.793.2958

[www.eggersindustries.com](http://www.eggersindustries.com)

**Flush Doors**

**Neenah Division**  
164 North Lake Street  
Neenah, WI 54956  
Phone: 920.722.6444  
Fax: 920.722.0357

email: [sales@eggersindustries.com](mailto:sales@eggersindustries.com)