

Blocking and Aux Fire Latches for Fire Rated Pairs

Information Bulletin 322



Eggers Industries

Date: December, 2015

Eggers has approval, with U.L. and WHI, to label pairs of fire-rated doors having concealed vertical rods, surface vertical rods, and one leaf active without the use the 5" metal edgesets or regular edgesets as shown in the tables below. These tables show required* and optional* blocking and required fire latch for these approvals by application, hardware, rating core type and agency. Following the table are drawings of the blocking and fire latches. For consistency, the meeting edge is shown on the left side of the drawings.

***Important Note:** Required blocking part of the fire approval and is automatically included. Optional blocking is not part of the fire approval but must be specified for screw attachment of surface mounted latching hardware. Refer to the blocking drawings to determine which blocking you will need to specify for your application. Additional blocking may be needed for screw attachment of hardware, such as closers, which are not covered within this bulletin. Though-bolts may be used to attach surface-mounted hardware in lieu of blocking.

Standard Options w/ Underwriters Laboratories (Flush and Stile & Rail Doors)

Application	Hardware	Rating			Core				Required Blocking *	Fire Latches
		45	60	90	MC/S&R	GP	PC	AGR		
Standard Swing Active-Active Pairs	SVR	X	X	X	8'x8'	8'x8'	---	---	4	None
	SVR-LBR	X	---	---	8'x8'	8'x8'	---	---	5	6
		---	X	X	8'x8'	8'x8'	---	---	5	3
	PP/PR SVR-LBR	X	X	X	8'x8'	8'x8'	---	---	5	4
	CVR	X	X	X	8'x8'	---	---	---	8	None
	CVR-LBR	X	X	X	8'x8'	---	---	---	8	3
Standard Swing Active-Inactive Pairs	PP/PR CVR-LBR	X	X	X	8'x8'	---	---	---	8	4
	Rim Exit	X	X	X	8'x8'	8'x8'	---	---	6	None
	Mortised Exit	X	X	X	8'x8'	8'x8'	---	---	6	None
	Corner Flush Bolt	X	X	X	8'x8'	8'x8'	---	---	None	None
	Flush bolts up to 12"	X	X	X	8'x8'	8'x8'	---	---	7	None
	FB over 12" up to 24"	X	X	X	8'x8'	8'x8'	---	---	2	None
Double Egress Swing Active- Active Pairs	SVR	X	X	X	8'x8'	8'x8'	---	---	1	2
	SVR-LBR	X	X	X	8'x8'	8'x8'	---	---	1	3
	PP/PR SVR-LBR	X	X	X	8'x8'	8'x8'	---	---	1	4
	CVR	---	---	---	---	---	---	---	---	---
	CVR-LBR	X	X	X	8'x8'	---	---	---	1	1
	PP/PR CVR-LBR	X	X	X	8'x8'	---	---	---	1	5

* Applies only to Flush Door Constructions



**Stile & Rail Doors,
Door Frames, Plywood**

East Division
One Eggers Drive
Two Rivers, WI 54241
Phone: 920.793.1351
Fax: 920.793.2958

Flush Doors

Neenah Division
164 North Lake Street
Neenah, WI 54956
Phone: 920.722.6444
Fax: 920.722.0357

www.eggiersindustries.com email: sales@eggiersindustries.com

Blocking and Aux Fire Latches for Fire Rated Pairs

Information Bulletin 322



Eggers Industries

Date: December, 2015

Additional Options w/ Warnock Hersey (Flush Doors)

Application	Hardware	Rating			Opening Size per Core				Required Blocking	Fire Latches
		45	60	90	MC	GP	PC	AGR		
Standard Swing Active-Active Pairs	SVR	X	---	---	---	---	6'x7'	---	None	None
		X	X	X	8'x9'	---	---	---	1	None
		X	---	---	---	---	---	8'x8'	8	None
	SVR-LBR	X	---	---	---	---	6'x7'	---	None	6
		X	X	X	---	8'x9'	---	---	9	None
		X	X	X	8'x9'	---	---	---	1	4
	CVR	---	---	---	---	---	---	---	---	---
CVR-LBR	---	---	---	---	---	---	---	---	---	
Standard Swing Active-Inactive Pairs	Rim Exit	X	---	---	---	---	8'x8'	8	None	
		X	X	---	8'x9'	---	---	1	None	
		X	---	---	---	---	6'x7'	---	None	None
	Mortised Exit	X	---	---	---	---	6'x7'	8'x8'	6	None
		X	X	---	8'x9'	---	---	---	1	None
	Corner Flush Bolt	X	X	---	8'x9'	---	---	---	1	None
		X	---	---	---	---	---	8'x8'	2	None
	Flush bolts up to 12"	X	X	---	8'x9'	---	---	---	1	None
		X	---	---	---	---	6'x7'	---	None	None
		X	X	---	8'x9'	---	---	---	1	None
FB over 12" up to 24"	X	---	---	---	---	6'x7'	---	None	None	
	X	---	---	---	---	---	---	---	---	
Double Egress Swing Active-Active Pairs	SVR	X	---	---	---	---	8'x8'	8	None	
	SVR-LBR	X	X	X	---	8'x8'	---	9	None	
	CVR	---	---	---	---	---	---	---	---	
	CVR-LBR	---	---	---	---	---	---	---	---	

Additional Options w/ Warnock Hersey (Stile & Rail)

Application	Hardware	Rating	Opening Size per Door Thickness		Required Blocking	Fire Latches
		90	1.75" S&R	2.25" S&R		
Standard Swing Active-Active Pairs	SVR (top and bottom)	X	7'x8'	8'x10'	Special Blocking and Auxilliary Fire Latches are not Required	
Standard Swing Active-Inactive Pairs	Rim Exit	X	7'x8'	8'x10'		
	Mortised Exit	X	7'x8'	8'x10'		
	Corner Flush Bolt	X	7'x8'	8'x10'		
Double Egress Swing Active-Active Pairs	SVR (top and bottom)	X	---	8'x10'		



**Stile & Rail Doors,
Door Frames, Plywood**

Flush Doors

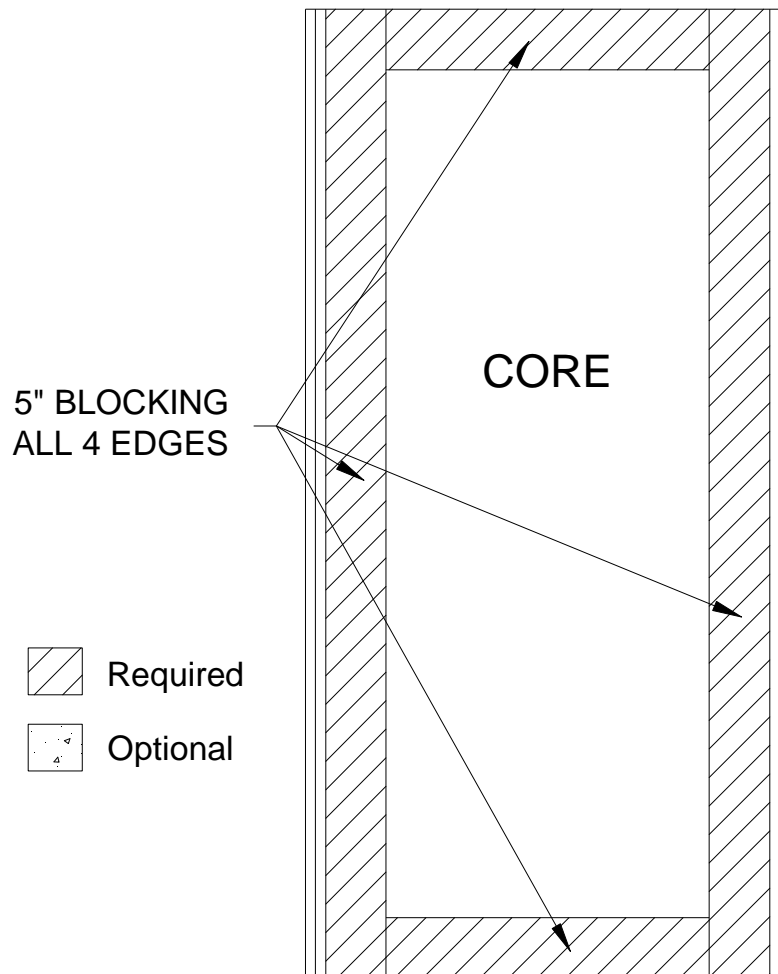
East Division
One Eggers Drive
Two Rivers, WI 54241
Phone: 920.793.1351
Fax: 920.793.2958

Neenah Division
164 North Lake Street
Neenah, WI 54956
Phone: 920.722.6444
Fax: 920.722.0357

www.egggersindustries.com email: sales@egggersindustries.com



BLOCKING # 1



Eggers Industries

**Stile & Rail Doors,
Door Frames, Plywood**

Flush Doors

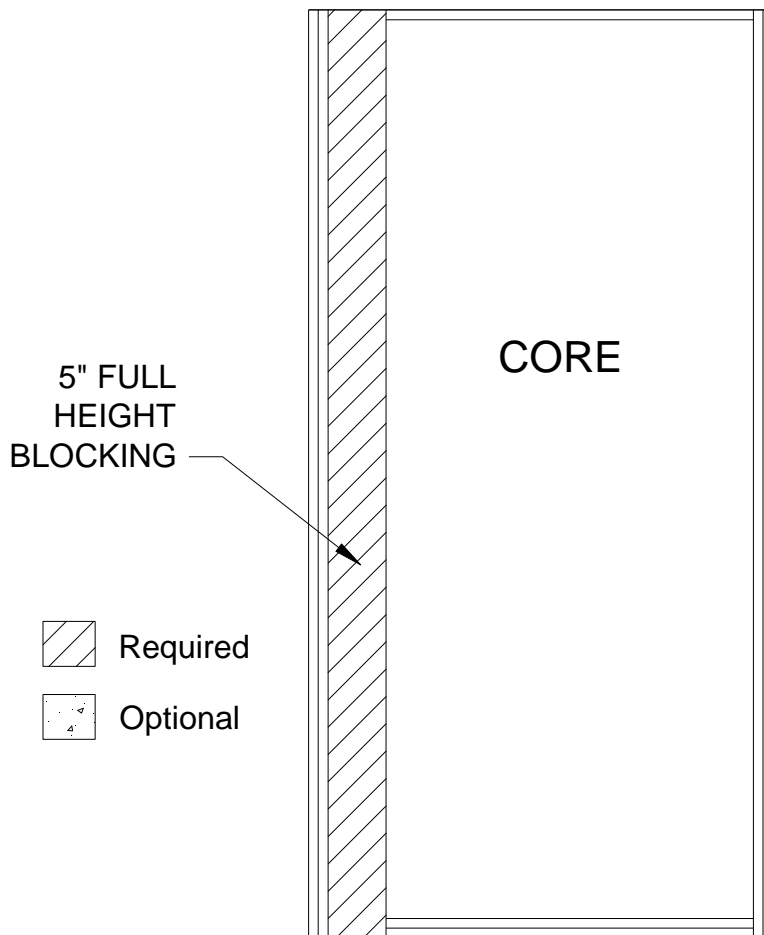
East Division
One Eggers Drive
Two Rivers, WI 54241
Phone: 920.793.1351
Fax: 920.793.2958

Neenah Division
164 North Lake Street
Neenah, WI 54956
Phone: 920.722.6444
Fax: 920.722.0357

www.eggiersindustries.com email: sales@eggiersindustries.com



BLOCKING # 2



Eggers Industries

**Stile & Rail Doors,
Door Frames, Plywood**

East Division
One Eggers Drive
Two Rivers, WI 54241
Phone: 920.793.1351
Fax: 920.793.2958

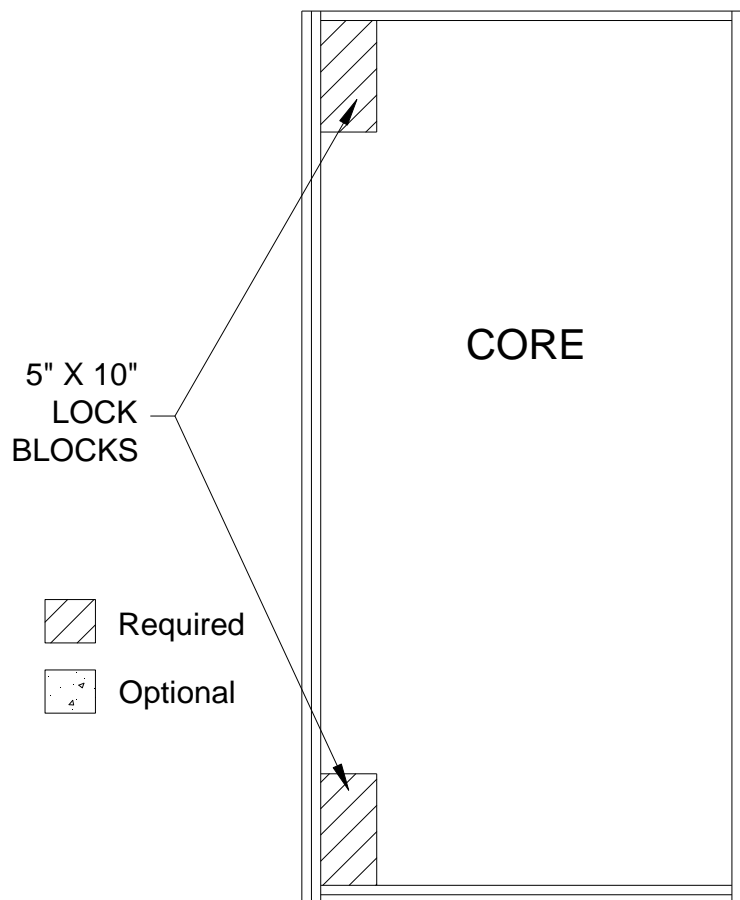
Flush Doors

Neenah Division
164 North Lake Street
Neenah, WI 54956
Phone: 920.722.6444
Fax: 920.722.0357

www.eggiersindustries.com email: sales@eggiersindustries.com



BLOCKING # 3



**Stile & Rail Doors,
Door Frames, Plywood**

Flush Doors

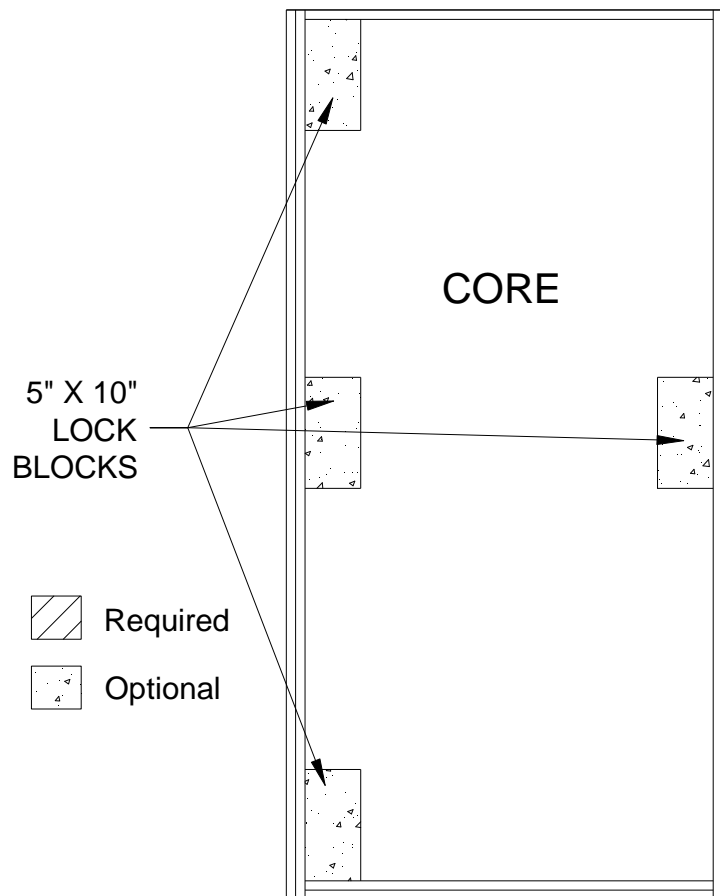
East Division
One Eggers Drive
Two Rivers, WI 54241
Phone: 920.793.1351
Fax: 920.793.2958

Neenah Division
164 North Lake Street
Neenah, WI 54956
Phone: 920.722.6444
Fax: 920.722.0357

www.eggiersindustries.com email: sales@eggiersindustries.com



BLOCKING # 4



Eggers Industries

**Stile & Rail Doors,
Door Frames, Plywood**

Flush Doors

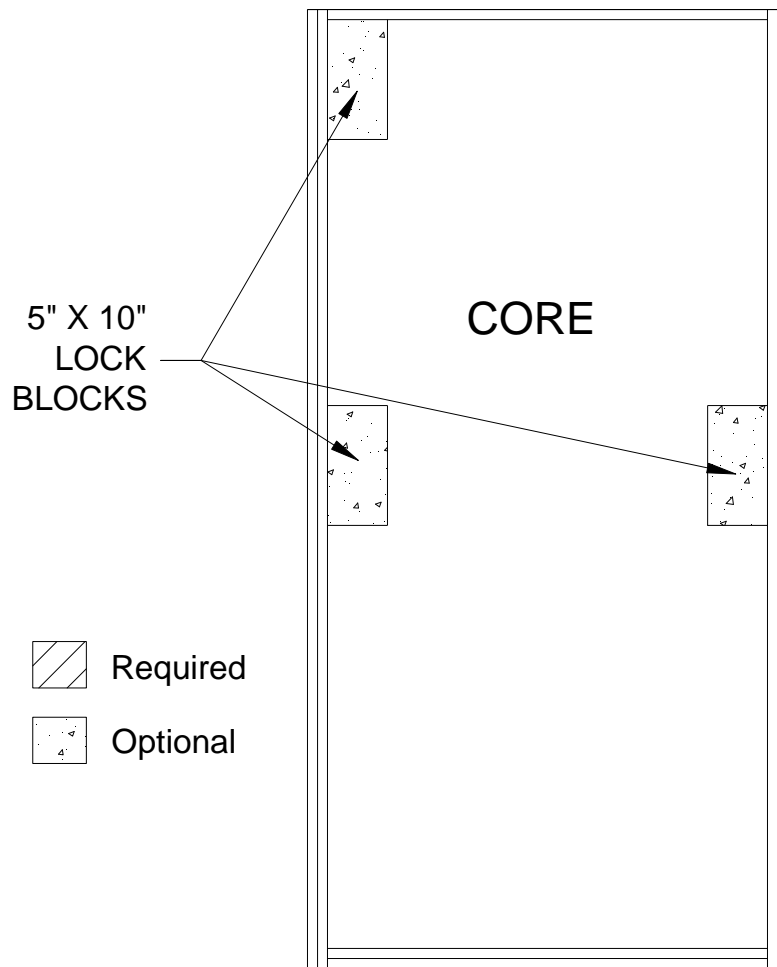
East Division
One Eggers Drive
Two Rivers, WI 54241
Phone: 920.793.1351
Fax: 920.793.2958

Neenah Division
164 North Lake Street
Neenah, WI 54956
Phone: 920.722.6444
Fax: 920.722.0357

www.eggiersindustries.com email: sales@eggiersindustries.com



BLOCKING # 5



Eggers Industries

**Stile & Rail Doors,
Door Frames, Plywood**

Flush Doors

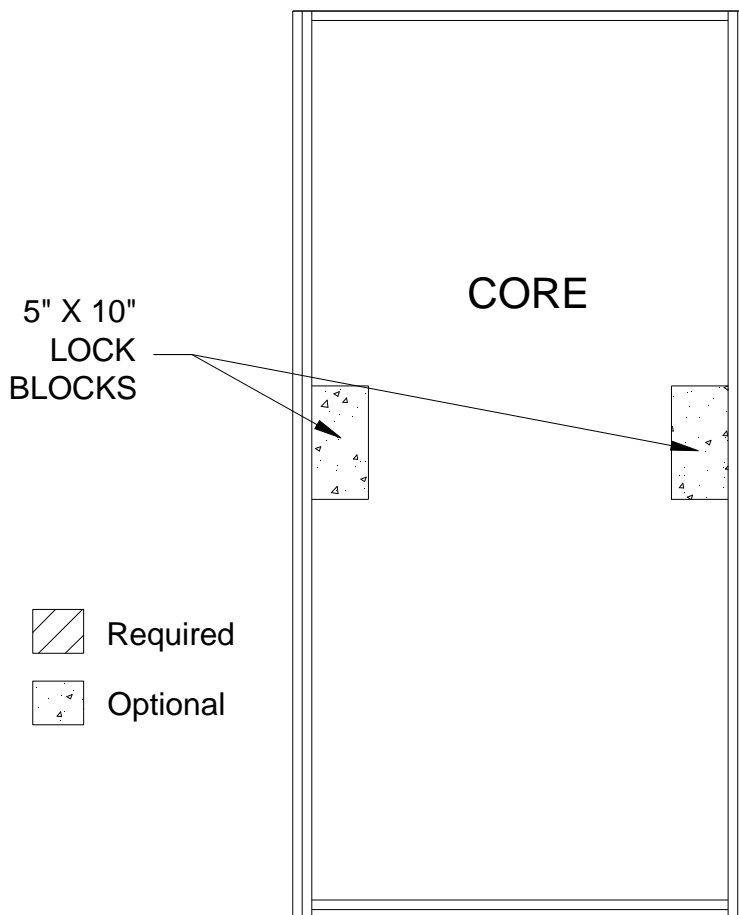
East Division
One Eggers Drive
Two Rivers, WI 54241
Phone: 920.793.1351
Fax: 920.793.2958

Neenah Division
164 North Lake Street
Neenah, WI 54956
Phone: 920.722.6444
Fax: 920.722.0357

www.eggiersindustries.com email: sales@eggiersindustries.com



BLOCKING # 6



Eggers Industries

**Stile & Rail Doors,
Door Frames, Plywood**

Flush Doors

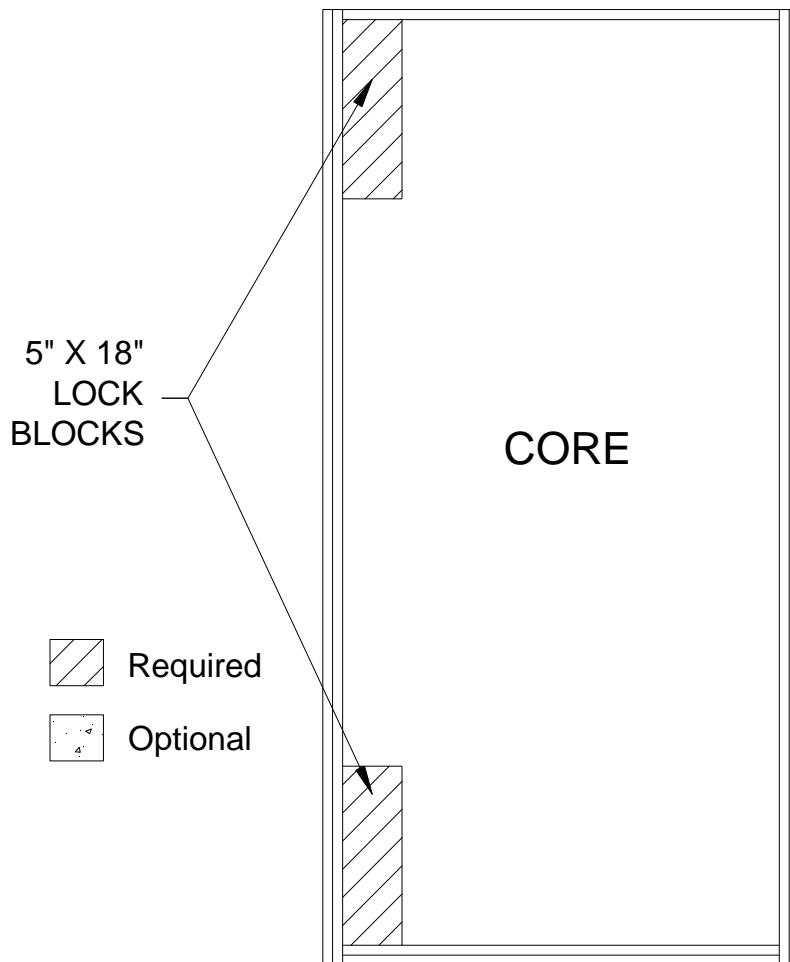
East Division
One Eggers Drive
Two Rivers, WI 54241
Phone: 920.793.1351
Fax: 920.793.2958

Neenah Division
164 North Lake Street
Neenah, WI 54956
Phone: 920.722.6444
Fax: 920.722.0357

www.eggiersindustries.com email: sales@eggiersindustries.com



BLOCKING # 7



Eggers Industries

**Stile & Rail Doors,
Door Frames, Plywood**

Flush Doors

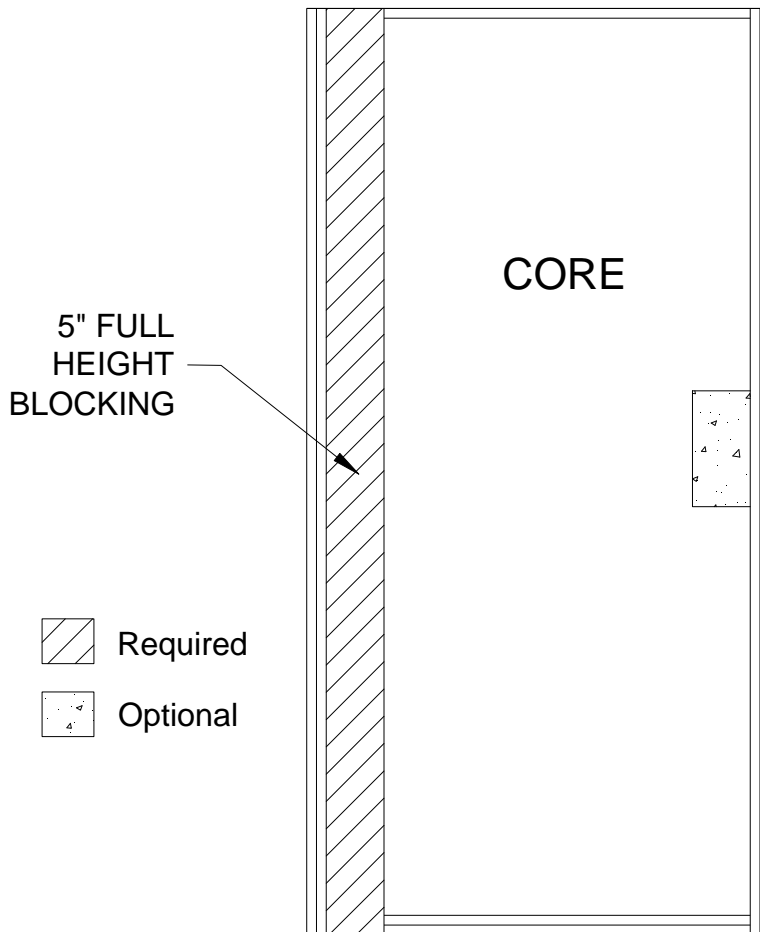
East Division
One Eggers Drive
Two Rivers, WI 54241
Phone: 920.793.1351
Fax: 920.793.2958

Neenah Division
164 North Lake Street
Neenah, WI 54956
Phone: 920.722.6444
Fax: 920.722.0357

www.eggiersindustries.com email: sales@eggiersindustries.com



BLOCKING # 8



Eggers Industries

**Stile & Rail Doors,
Door Frames, Plywood**

East Division
One Eggers Drive
Two Rivers, WI 54241
Phone: 920.793.1351
Fax: 920.793.2958

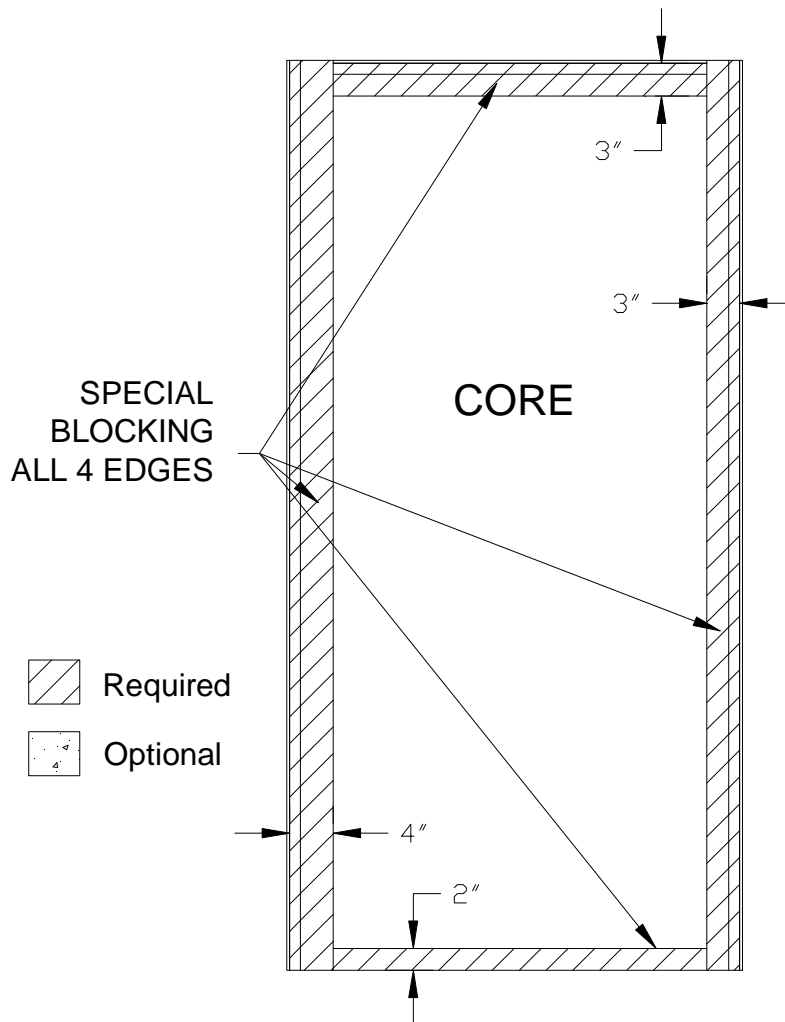
Flush Doors

Neenah Division
164 North Lake Street
Neenah, WI 54956
Phone: 920.722.6444
Fax: 920.722.0357

www.eggiersindustries.com email: sales@eggiersindustries.com



BLOCKING # 9



**Stile & Rail Doors,
Door Frames, Plywood**

Flush Doors

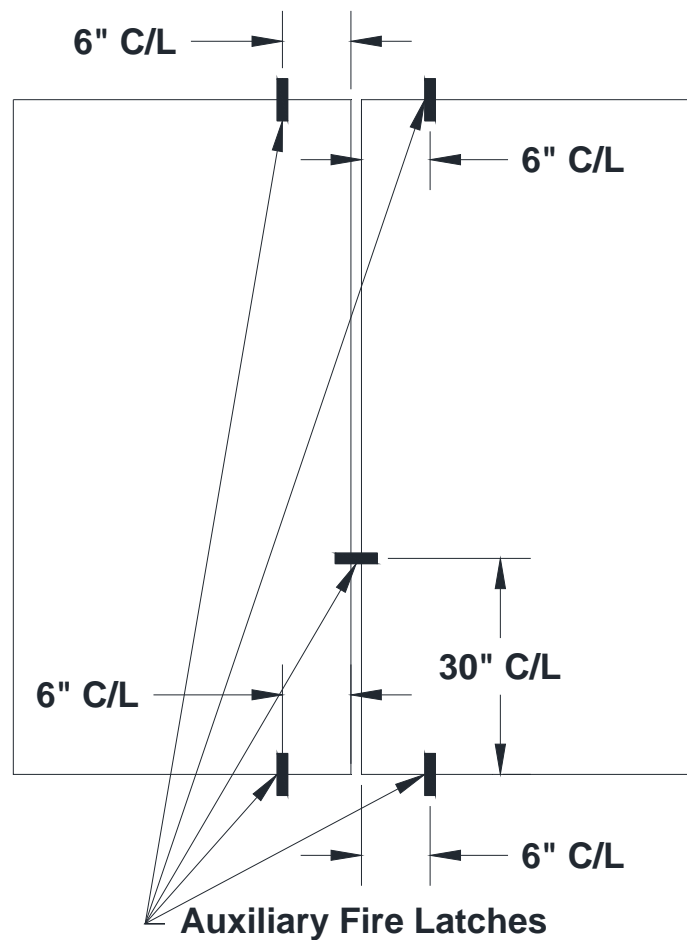
East Division
One Eggers Drive
Two Rivers, WI 54241
Phone: 920.793.1351
Fax: 920.793.2958

Neenah Division
164 North Lake Street
Neenah, WI 54956
Phone: 920.722.6444
Fax: 920.722.0357

www.egggersindustries.com email: sales@egggersindustries.com



AUXILIARY FIRE LATCH #1



Eggers Industries

**Stile & Rail Doors,
Door Frames, Plywood**

Flush Doors

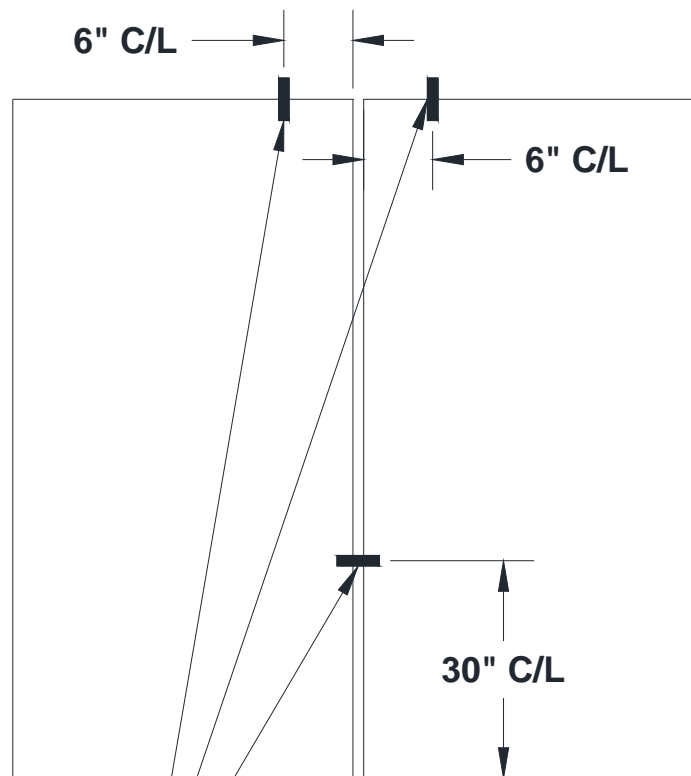
East Division
One Eggers Drive
Two Rivers, WI 54241
Phone: 920.793.1351
Fax: 920.793.2958

Neenah Division
164 North Lake Street
Neenah, WI 54956
Phone: 920.722.6444
Fax: 920.722.0357

www.eggiersindustries.com email: sales@eggiersindustries.com



AUXILIARY FIRE LATCH #2



Auxiliary Fire Latches



**Stile & Rail Doors,
Door Frames, Plywood**

Flush Doors

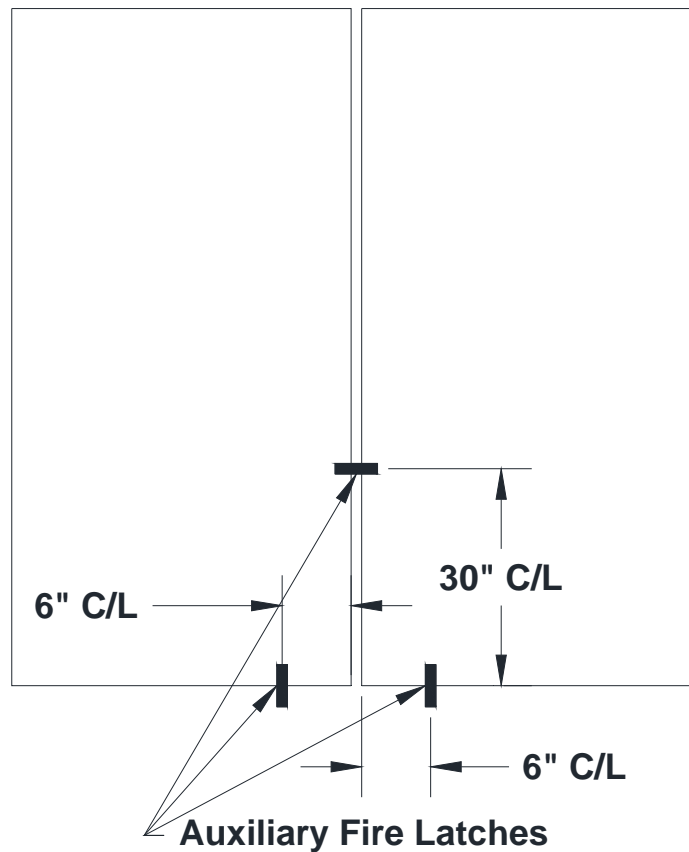
East Division
One Eggers Drive
Two Rivers, WI 54241
Phone: 920.793.1351
Fax: 920.793.2958

Neenah Division
164 North Lake Street
Neenah, WI 54956
Phone: 920.722.6444
Fax: 920.722.0357

www.eggiersindustries.com email: sales@eggiersindustries.com



AUXILIARY FIRE LATCH #3



Eggers Industries

**Stile & Rail Doors,
Door Frames, Plywood**

East Division
One Eggers Drive
Two Rivers, WI 54241
Phone: 920.793.1351
Fax: 920.793.2958

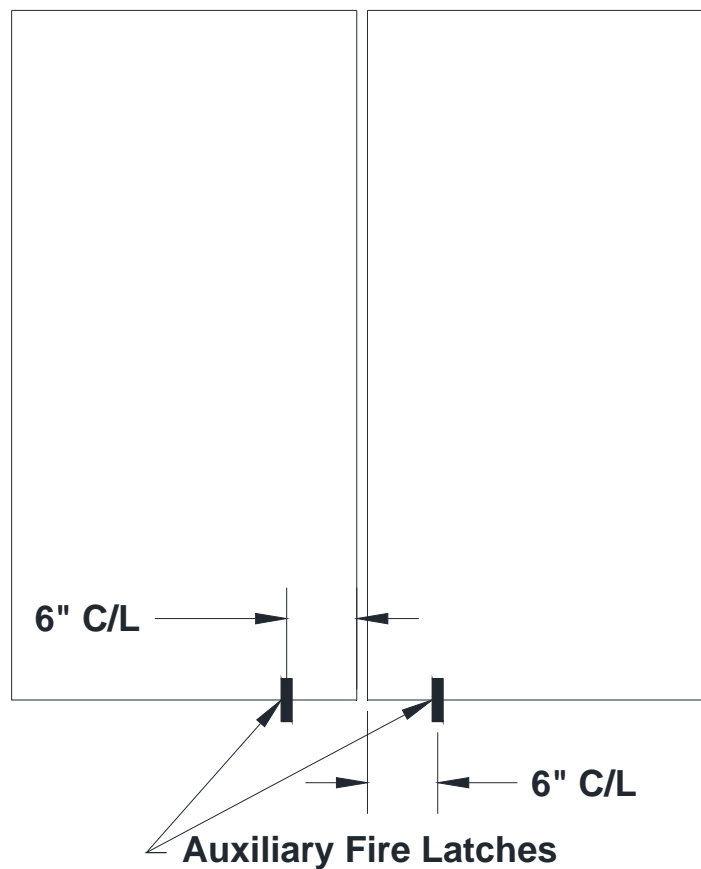
Flush Doors

Neenah Division
164 North Lake Street
Neenah, WI 54956
Phone: 920.722.6444
Fax: 920.722.0357

www.eggiersindustries.com email: sales@eggiersindustries.com



AUXILIARY FIRE LATCH #4



Eggers Industries

**Stile & Rail Doors,
Door Frames, Plywood**

East Division
One Eggers Drive
Two Rivers, WI 54241
Phone: 920.793.1351
Fax: 920.793.2958

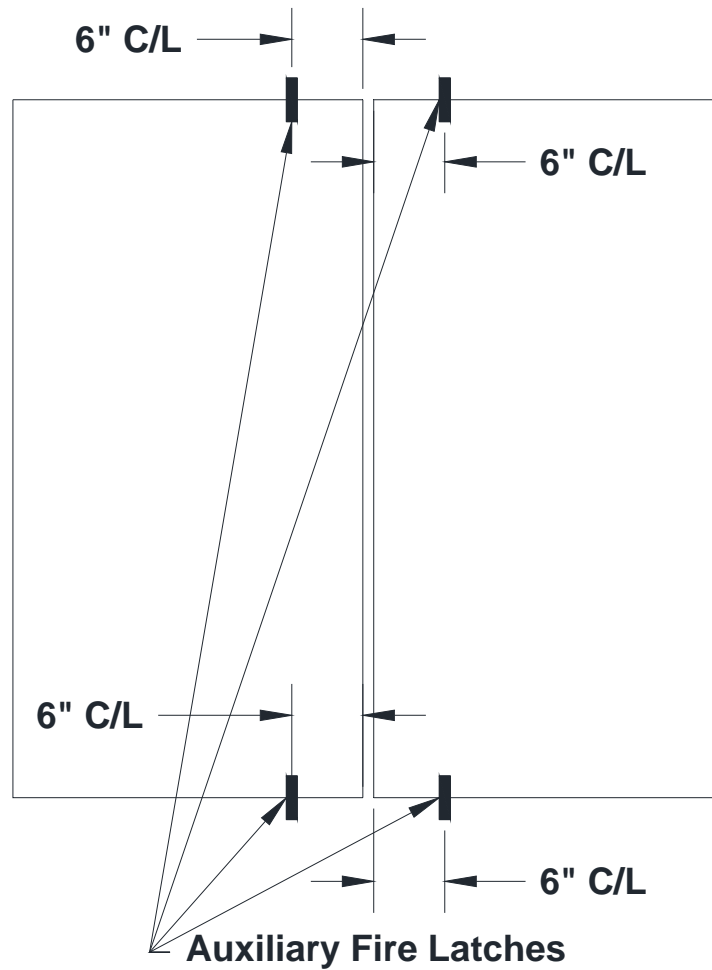
Flush Doors

Neenah Division
164 North Lake Street
Neenah, WI 54956
Phone: 920.722.6444
Fax: 920.722.0357

www.eggiersindustries.com email: sales@eggiersindustries.com



AUXILIARY FIRE LATCH #5



Eggers Industries

**Stile & Rail Doors,
Door Frames, Plywood**

Flush Doors

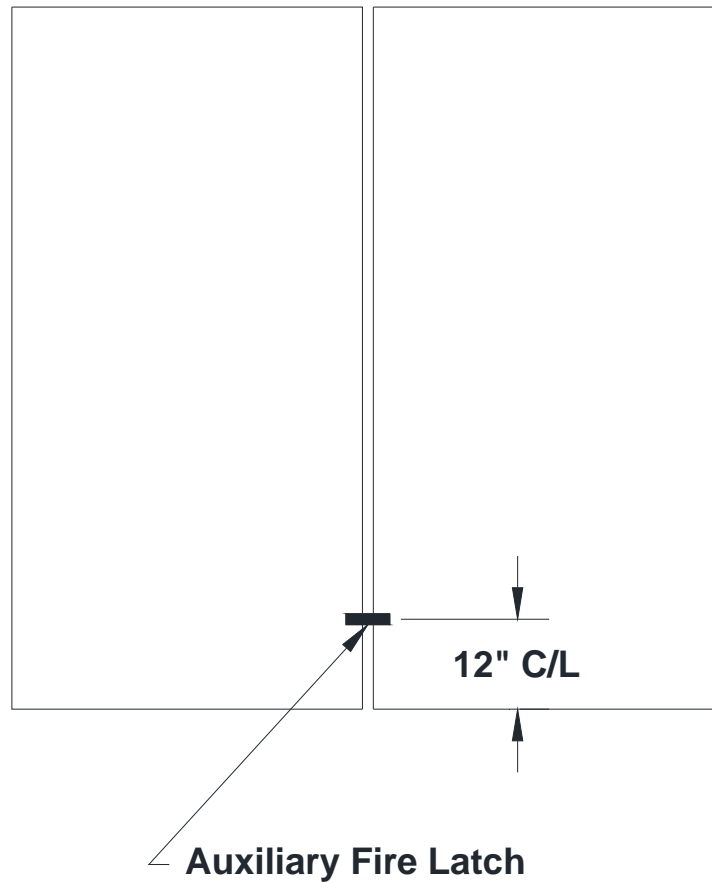
East Division
One Eggers Drive
Two Rivers, WI 54241
Phone: 920.793.1351
Fax: 920.793.2958

Neenah Division
164 North Lake Street
Neenah, WI 54956
Phone: 920.722.6444
Fax: 920.722.0357

www.eggiersindustries.com email: sales@eggiersindustries.com



AUXILIARY FIRE LATCH #6



Eggers Industries

**Stile & Rail Doors,
Door Frames, Plywood**

Flush Doors

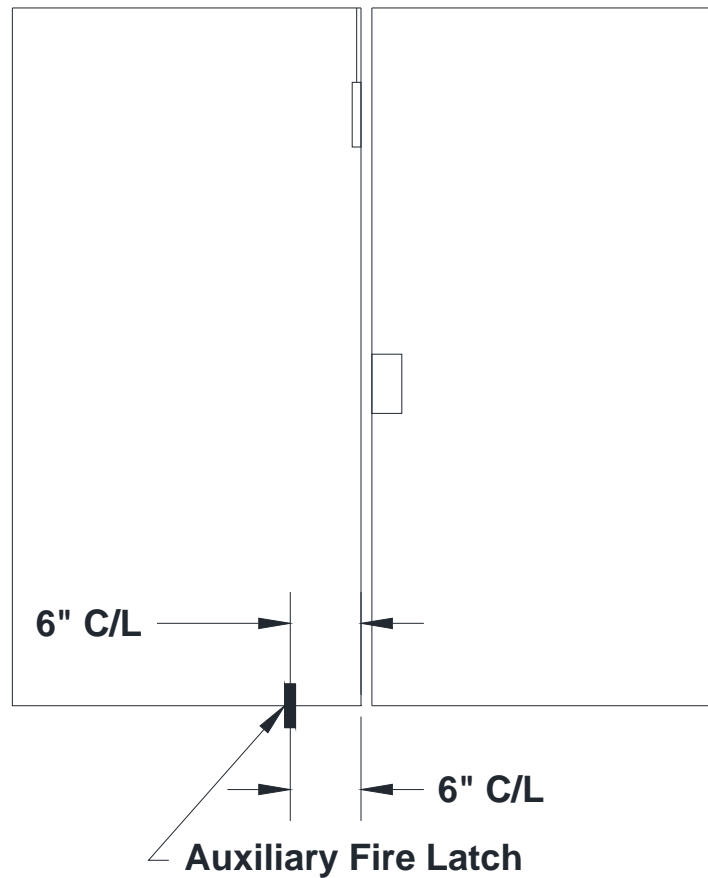
East Division
One Eggers Drive
Two Rivers, WI 54241
Phone: 920.793.1351
Fax: 920.793.2958

Neenah Division
164 North Lake Street
Neenah, WI 54956
Phone: 920.722.6444
Fax: 920.722.0357

www.eggiersindustries.com email: sales@eggiersindustries.com



AUXILIARY FIRE LATCH #7



Eggers Industries

**Stile & Rail Doors,
Door Frames, Plywood**

East Division
One Eggers Drive
Two Rivers, WI 54241
Phone: 920.793.1351
Fax: 920.793.2958

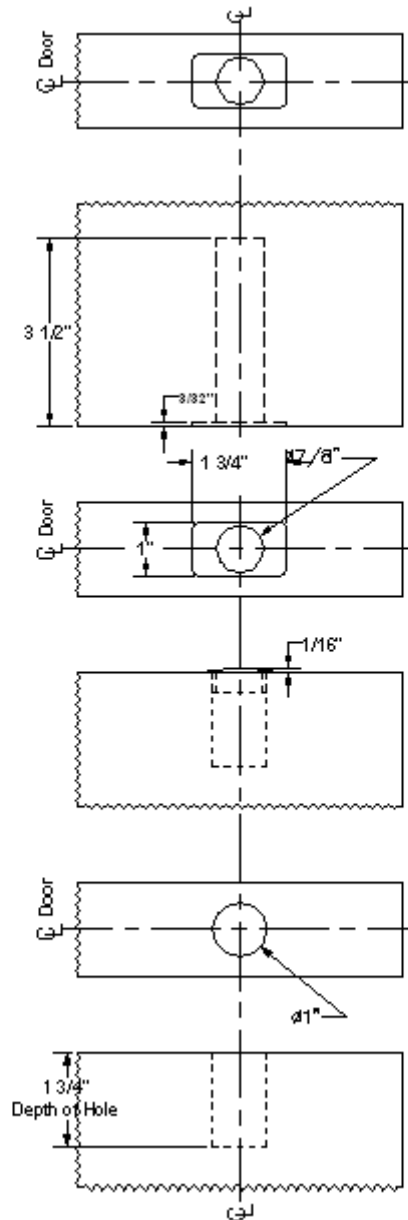
Flush Doors

Neenah Division
164 North Lake Street
Neenah, WI 54956
Phone: 920.722.6444
Fax: 920.722.0357

www.eggiersindustries.com email: sales@eggiersindustries.com



AUXILIARY FIRE LATCH
 Cutout Dimensions



LATCH
STRIKE
 * LATCH PREP IS IN DOOR. PREP FOR STRIKE IN FRAME OR FLOOR.



**Stile & Rail Doors,
 Door Frames, Plywood**

Flush Doors

East Division
 One Eggers Drive
 Two Rivers, WI 54241
 Phone: 920.793.1351
 Fax: 920.793.2958

Neenah Division
 164 North Lake Street
 Neenah, WI 54956
 Phone: 920.722.6444
 Fax: 920.722.0357

www.egggersindustries.com email: sales@egggersindustries.com