

WHI 20-MINUTE FIREGUARD FRAME

Installation Instruction 128



Eggers Industries

Date: May 2018

Maximum overall opening: 98.5" wide x 109.25" high (Frame buck opening)
Maximum door opening: Single 4'-0" x 9'-0" / Pair 8'-0" x 9'-0"
Wall depth: Minimum 3-3/4"
Wall type (rough opening): Metal stud, wood stud or masonry. Metal stud or masonry openings must be lined with a 2" nominal wood stud minimum.

- Preassembled frame legs to header with minimum (3) 1-5/8" long, #6 screws, 10d nails or 15-gauge finish nails at each joint.
- Install frames with 2-1/2" long screws, or 10d finishing nails. Masonry walls require mechanical attachment of wood liner maximum 24" O.C.
- Shim space is maximum 1/2". A shim space greater than 1/4" must be tightly filled with fiberglass insulation.
- Shimming is required at every hinge and strike.
- Assemblies must be plumb and square.

T-STOP: Minimum 1/2" x 1-1/2" (5/8" overall thickness.) T-stops are installed with 16 gauge staples or 4d finish nails spaced maximum 2" from each end and 12" in center.

CASING: Minimum 3/8" thick X 1-3/4" wide. Casing is installed with minimum #4 finish nails spaced maximum 4" from each end and 16" on center and staggered.

Note:

Pemko HSS2000 intumescent and Pemko S88 smoke seals are required only for positive pressure and smoke control openings. (UL 10C, U.B.C. 7-2-1997)

Failure to install the frame in accordance with these installation instructions voids the label



Eggers Industries

Stile and Rail Doors, Door Frames, Plywood, and Veneered Components

Two Rivers Division
One Eggers Drive
Two Rivers, WI 54241
Phone: 920-793-1351
Fax: 920-793-2958

Flush Doors and Palladium® Door

Neenah Division
164 North Lake Street
Neenah, WI 54956
Phone: 920-722-6444
Fax: 920-722-0357

WHI 20-MINUTE FIREGUARD FRAME

Installation Instruction 128

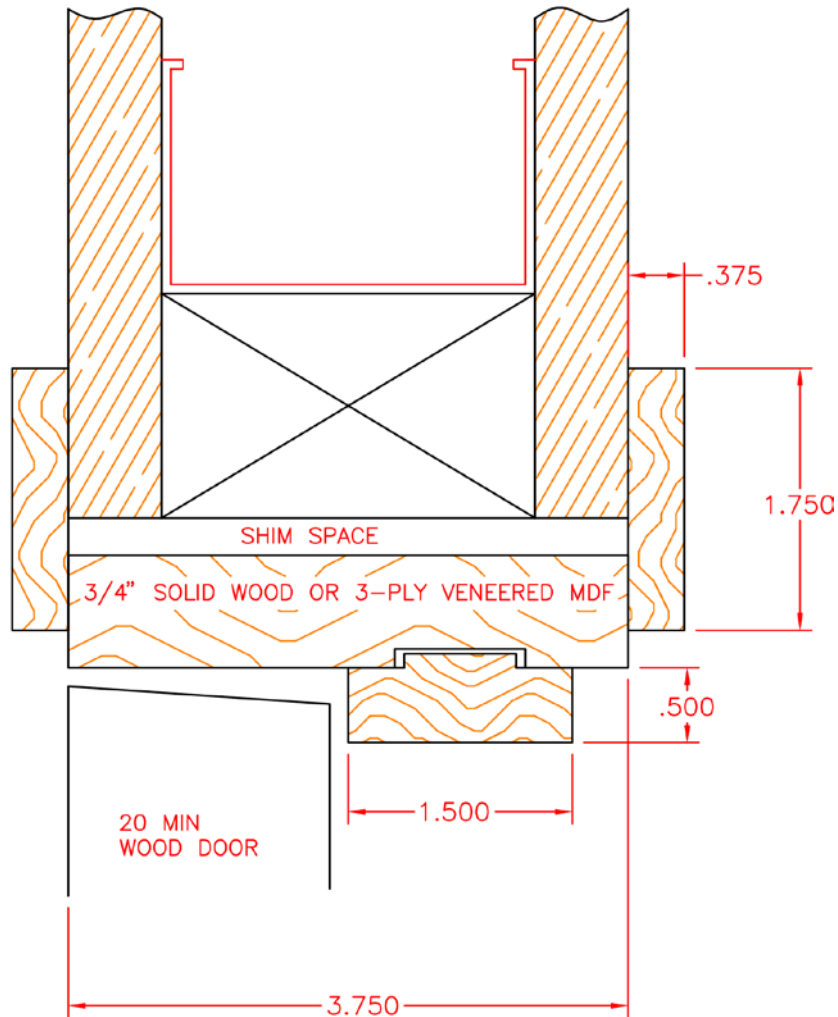


Eggers Industries

Date: May 2018

WHI 20-MINUTE FIREGUARD HEADER/JAMB

- All dimensions shown are minimums
- Single or double rabbet frame optional
- 2" nominal wood liner required for metal stud or masonry



Eggers Industries

Stile and Rail Doors, Door Frames, Plywood, and Veneered Components

Two Rivers Division
One Eggers Drive
Two Rivers, WI 54241
Phone: 920-793-1351
Fax: 920-793-2958

Flush Doors and Palladium® Door

Neenah Division
164 North Lake Street
Neenah, WI 54956
Phone: 920-722-6444
Fax: 920-722-0357