

# ACOUSTIC GASKET SYSTEMS

## Installation Instruction 121



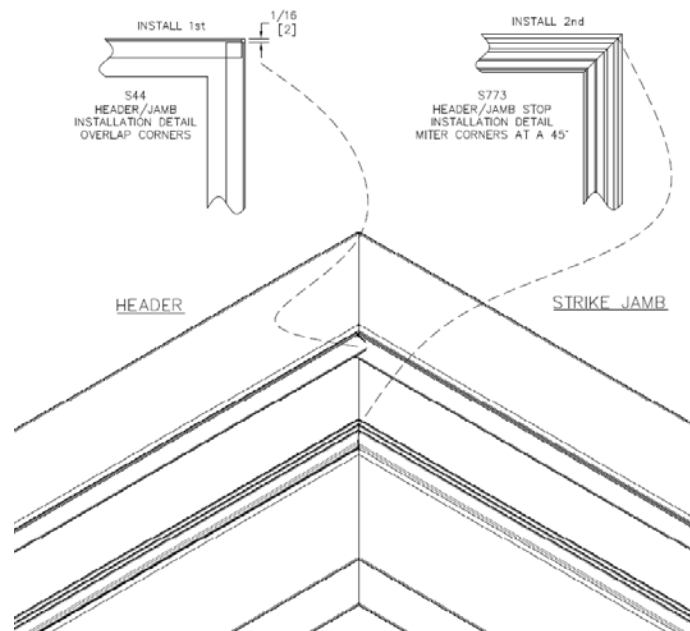
Eggers Industries

Date: June, 2013

### Installation of Perimeter Seals: Gasket System T

1. Hang the door and adjust for proper clearances.
2. Install the Pemko 2008STCxQ380 threshold within the opening. The threshold should be installed parallel to the bottom of the door, shimming if required. When properly installed there should be a 1/8" clearance between the bottom of the door and the threshold when the door is closed. The threshold seal should be in uniform contact with the door face and slightly compressed. A sealant, such as silicone caulk, should be used to prevent sound transmission between the threshold and floor/frame. Thresholds should not be mounted over carpeting as this will not allow a good seal.
3. Install a row of Pemko S44 seal to the leading edge of the jambs and the header.
4. Install a row of S773 to the header and jamb stop.

- Refer to drawings on following pages -



  
**Eggers  
Industries**  
www.eggersondustries.com  
sales@eggersondustries.com

Stile and Rail Doors,  
Door Frames, Plywood  
Veneered Components

Two Rivers Division  
One Eggers Drive  
Two Rivers, WI 54241  
Phone: 920.793.1351  
Fax: 920.793.2958

Flush Doors

Neenah Division  
164 North Lake Street  
Neenah, WI 54956  
Phone: 920.722.6444  
Fax: 920.722.0357

Architectural Veneer Faces,  
Custom Wood Products,  
Plywood

Kentucky Division  
2125 Lake Jericho Road  
Smithfield, KY 40068  
Phone: 502.845.0154  
Fax: 502.849.0444

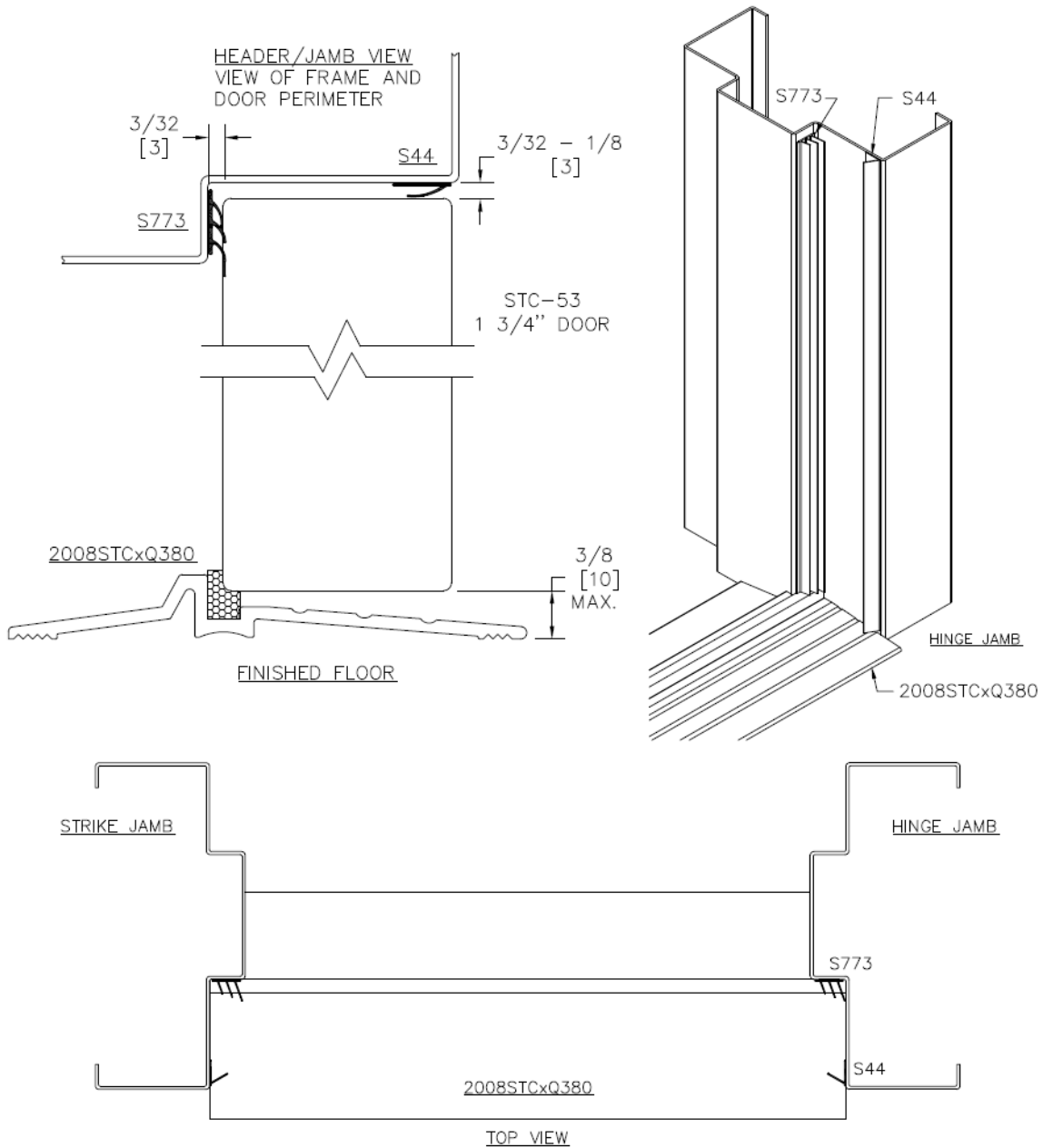
# ACOUSTIC GASKET SYSTEMS

## Installation Instruction 121



Eggers Industries

Date: June, 2013



DO NOT SCALE



**Eggers Industries**

www.eggersindustries.com  
sales@eggersindustries.com

Stile and Rail Doors,  
Door Frames, Plywood  
Veneered Components

Two Rivers Division  
One Eggers Drive  
Two Rivers, WI 54241  
Phone: 920.793.1351  
Fax: 920.793.2958

Flush Doors

Neenah Division  
164 North Lake Street  
Neenah, WI 54956  
Phone: 920.722.6444  
Fax: 920.722.0357

Architectural Veneer Faces,  
Custom Wood Products,  
Plywood

Kentucky Division  
2125 Lake Jericho Road  
Smithfield, KY 40068  
Phone: 502.845.0154  
Fax: 502.849.0444